



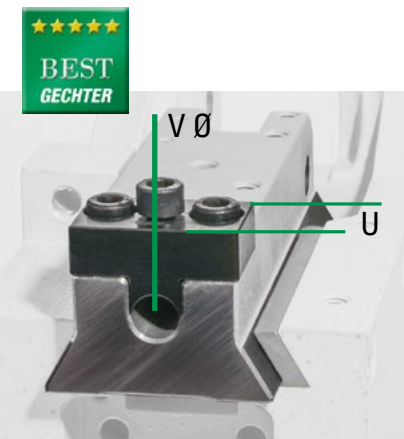
Force/stroke table

Dimension	8/12 HKPV	8/16 HKPV
x1 at <F. max	0-45	0-58
x2 at F. max	0-23	0-25
KForce at BDC with short stroke	20 kN	32 kN
Force at BDC with long stroke	16 kN	24 kN

Subject to technical modifications.

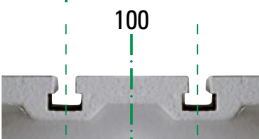
On the following pages, you will find detailed descriptions and further illustrations on each topic:

Press force monitoring	Page	30
Lever operating forces and press forces	Page	37
Accessories	Page	38



BEST GECHTER

With type 2.5 - 8/12
1 x DIN 650 M8x10

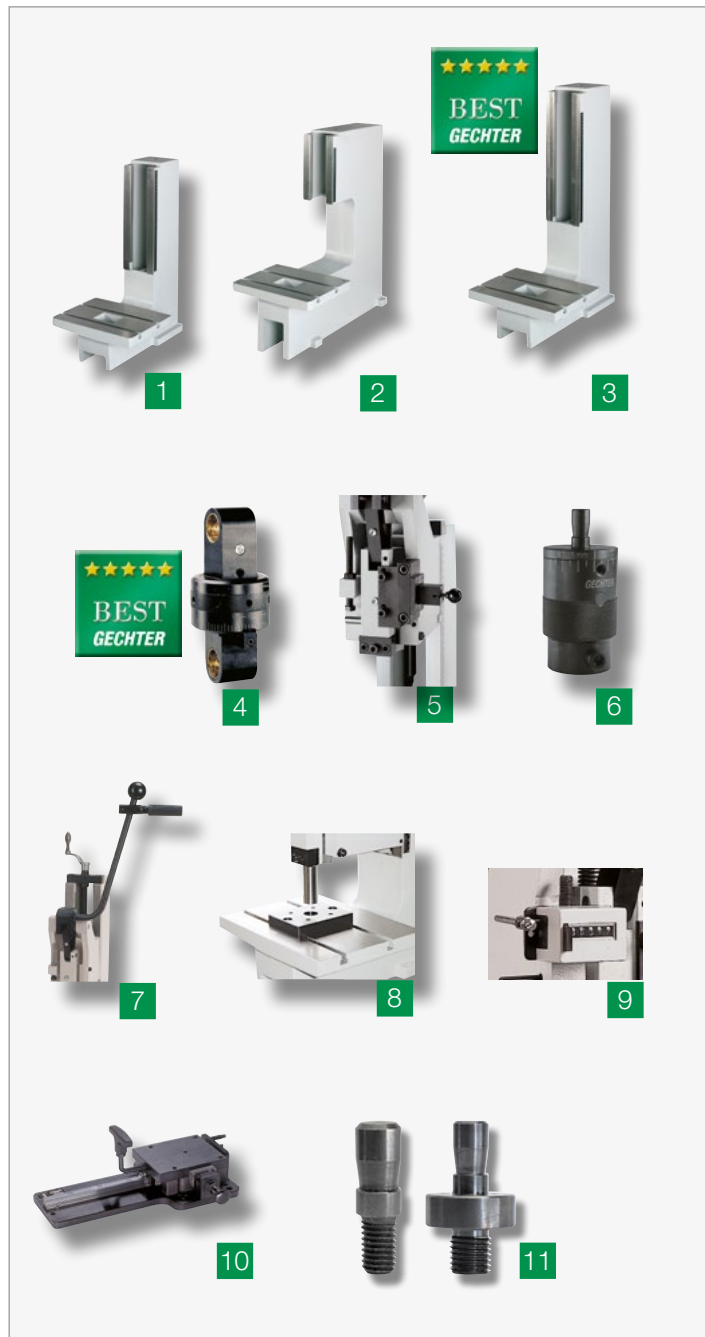


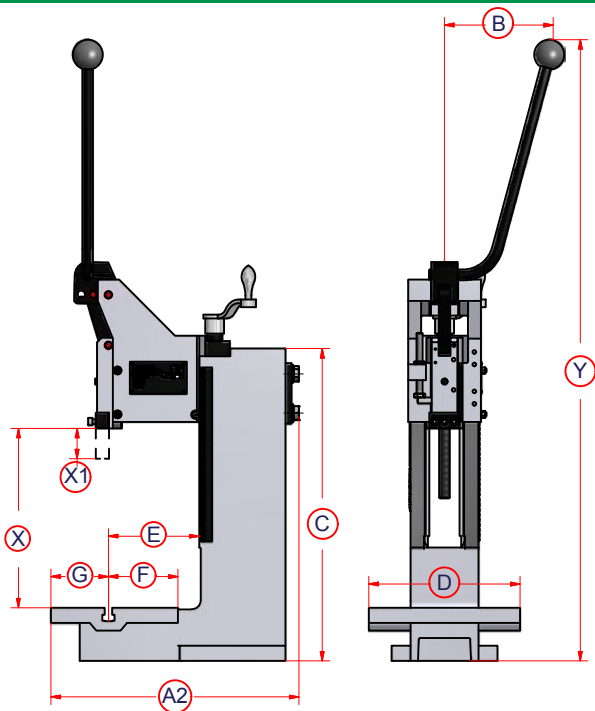
With type 8/16 2 x DIN 650 M8x1
With type 50 2 x DIN 650 M10x12

With press force monitoring
Page 30



maXYmos





Dimension	Type 2.5 HKPV	Type 5 HKPV	Type 8/12 HKPV	Type 8/16 HKPV	Type 50 HKP
Force at BDC with permitted lever operating force	max. 8 kN max. 280 N	max. 14 kN max. 320 N	see table below max. 350 N	max. 420 N	max. 55 kN max. 330 N
A2	220	243	328	445	565
B	140	140	140	160	220
C	320	344	415	590	715
D	150	180	200	300	340
E*	90	90	120	160	200
E extended	-	200	300	300	300
F	60	60	92	130	150
G	40	50	75	100	120
U	25	21	21	29	44
V	Ø 10 H7	Ø 10 H7	Ø 10 H7	Ø 15 H7	Ø 25 H7
X*	75-190	70-195	75-240	100-320	110-370
X1**	0-42	0-40	0-45	0-58	0-15
Y	480-600	595-715	655-820	930-1150	1250-1510
Weight	11.5 kg	20 kg	32 kg	79 kg	242 kg

* Change of dimensions for HMS presses!
** Special stroke length on request

Subject to technical modifications.

Please note that we will respond to your individual production requirements and that our **special machines experts** are at your disposal.

Accessories for your press	Options	Your selection	1	2	3
			Type 2,5 HKPV	Type 5 HKPV 8/12 HKPV 8/16 HKPV	Type 50 HKP
1 Standard press without accessories			X	X	X
2 Extended throat (see table on the left)	select one			X	X
3 Extended daylight + 100 mm				X	X
4 Integrated PFE fine tuning device				X	
5 Mechanical return stroke blocking mechanism			X	X	
6 Precision depth adjustment PTE (adapter)	select any		X	X	X
7 Ergonomic handle			X	X	
8 Centering plate with center bore			X	X	X
9 Mechanical stroke counter			X	X	X
10 Highly stressable sliding table, mechanical	select one		X	X	X
Highly stressable sliding table, mechanical with locking bolt			X	X	X
11 Clamping pivot without collar	select one			X	X
Clamping pivot with collar				X	X

X = available

