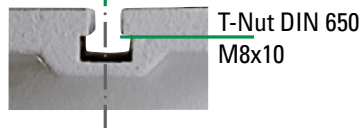
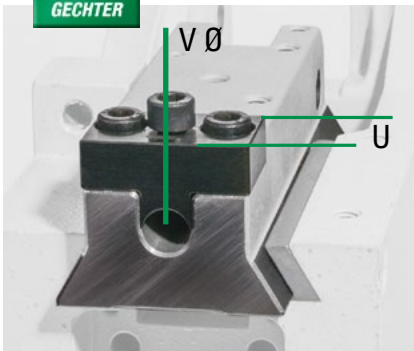


Please note that we will respond to your individual production requirements and that our **special machines experts** are at your disposal.



On the following pages, you will find detailed descriptions and further illustrations on each topic:

Press force monitoring	Page	30
Lever operating forces and press forces	Page	37
Accessories	Page	38



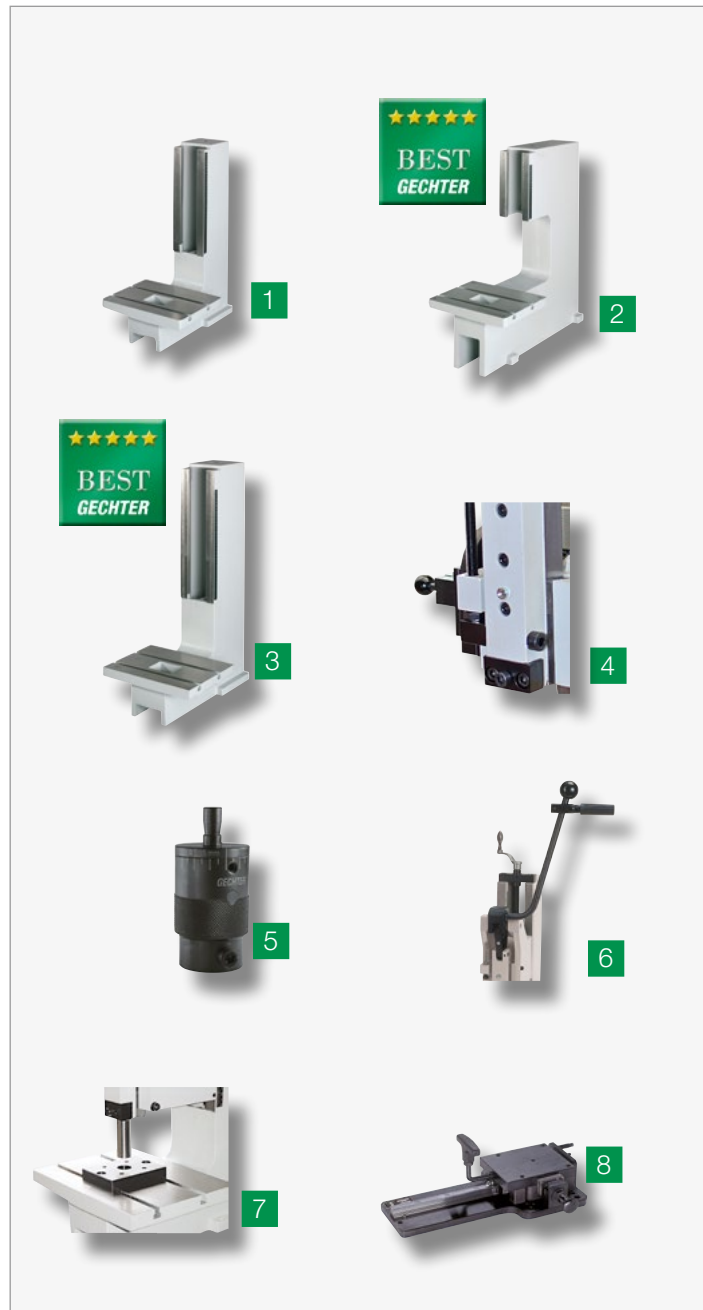
With press force monitoring
Page 30

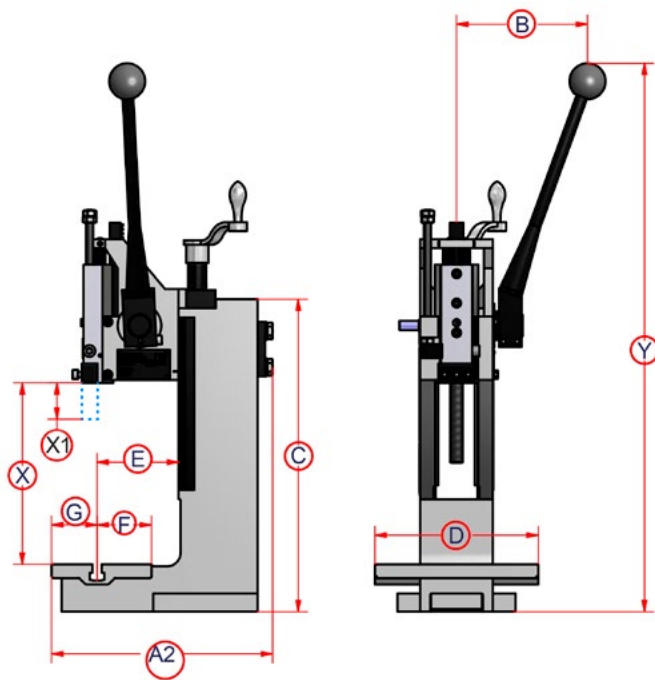


maXYmos

Unique **GECHTER** quality*
No-play adjustable prism guide.
The clamping device can be removed towards the front, so that the clamping pivot is not damaged.

* applies only to 4HZP





Dimension	Type 2 HZP	Type 4 HZP
Force	1,5 kN	2,5 kN
A2	188	243
B	85	140
C	260	344
D	120	180
E	70	90
F	55	60
G	39	50
U	21	21
V	Ø 10 H7	Ø 10 H7
X	85-180	70-200
X1	0-54	0-100
Y	365-460	465-600
Weight	7,5 kg	19 kg

Subject to technical modifications.

Accessories for your press	Options	Your selection	1	2
			Type 2 HZP	Type 4 HZP
1 Standard press without accessories		<input checked="" type="checkbox"/>	X	X
2 Extended throat up to 200 mm	select one	<input type="checkbox"/>		X
3 Extended daylight + 100 mm		<input type="checkbox"/>		X
4 Return stroke blocking mechanism		<input checked="" type="checkbox"/>	X	X
5 Precision depth adjustment PTE (adapter)	select any	<input checked="" type="checkbox"/>	X	X
6 Ergonomic handle		<input checked="" type="checkbox"/>	X	X
7 Centering plate with center bore		<input checked="" type="checkbox"/>	X	X
8 Highly stressable sliding table, mechanical	select one	<input type="checkbox"/>		X
Highly stressable sliding table, mechanical with locking bolt		<input type="checkbox"/>		X
9 Clamping pivot without collar	select one	<input checked="" type="checkbox"/>	X	X
Clamping pivot with collar		<input checked="" type="checkbox"/>	X	X

X = available



9

