

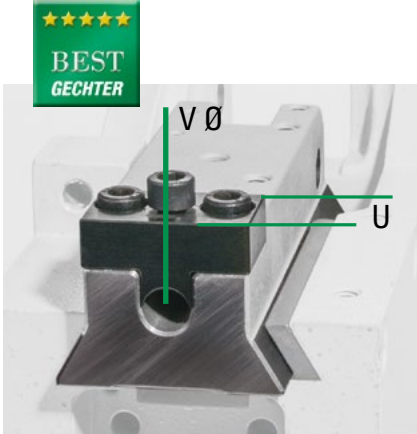


On the following pages, you will find detailed descriptions and further illustrations on each topic:

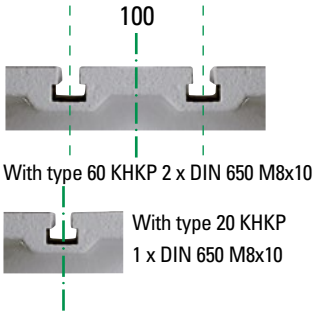
Press force monitoring	Page	30
Lever operating forces and press forces	Page	37
Accessories	Page	38

	KHKP 20 kN	KHKP 60 kN
Operating pressure	3-6 bar	3-6 bar
Press force kN at X bar approx.	20 6 bar	60 6 bar
Air-consumption, max. per stroke	1.12 L x bar	4.8 L x bar
Pneumatic connecting hose	1/4"	1/2"
Mains supply	90-240 V AC	90-240 V AC
Control voltage	24 V DC	24 V DC
No. of strokes/min.	66	40
Weight	43 kg	200 kg

Subject to technical modifications.



**BEST
GECHTER**

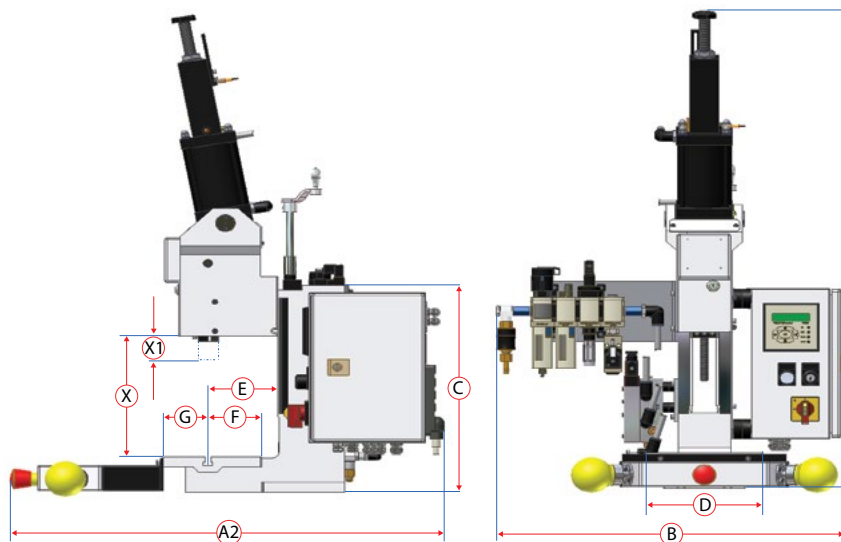


With press force monitoring
Page 30



maXYmos

Unique **GECHTER** quality
No-play adjustable prism guide.
The clamping device can be removed towards the front, so that the clamping pivot is not damaged.



Dimension	KHKP 20 kN	KHKP 60 kN
A2	800	820
B	580	760
C	415	715
D	200	340
E	120	200
F	92	150
G	75	120
U	21	44
V	Ø 10 H7	Ø 25 H7
X	60-225	115-370
X1	0-60	0-60
Ymax	890	1492

Subject to technical modifications.

Accessories for your press		Options	Your selection	1 Type 20 kN KHKP	2 Type 60 kN KHKP
1	Standard press without accessories		<input type="checkbox"/>	X	X
2	Extended throat up to 300 mm	select one	<input type="checkbox"/>	X	X
3	Extended daylight + 100 mm		<input type="checkbox"/>	X	X
	Two-hand safety controls	ES06	<input type="checkbox"/>	X	X
	Detailed description of the controls, see Page 34	ZS06	<input type="checkbox"/>		
		SpiceFlex modular	<input type="checkbox"/>	X	X
4	Rotary table adjustable to segmentations of 2-24, suitable for presses with SpiceFlex control systems		<input type="checkbox"/>	X	X
	Highly stressable sliding table, mechanical		<input type="checkbox"/>	X	X
5	Highly stressable sliding table, mechanical with locking bolt	select one	<input type="checkbox"/>	X	X
6	Highly stressable sliding table with electro-pneumatic control		<input type="checkbox"/>	X	X
	Press foundation H approx. 700 x W 690 x D 565 mm, adjustable with machine bearing elements		<input type="checkbox"/>	X	X
7	Press foundation H approx. 800 x W 690 x D 565 mm, adjustable with machine bearing elements	select one	<input type="checkbox"/>	X	X
	Deposit table for lateral attachment to the press foundation on the left side (a), height adjustable		<input type="checkbox"/>	X	X
7	Deposit table for lateral attachment to the press foundation on the right side (b), height adjustable	select any	<input type="checkbox"/>	X	X
	Rotary table changing plate with bores only with RT.		<input type="checkbox"/>	X	X
8	Footswitch, connected to plug-in connection for SpiceFlex		<input type="checkbox"/>	X	X
	Clamping pivot without collar		<input type="checkbox"/>	X	X
9	Clamping pivot with collar	select one	<input type="checkbox"/>	X	X

X = available



Please note that we will respond to your individual production requirements and that our **special machines experts** are at your disposal.