



	LP 2 kN	LP 4/8/12 kN	LP 13/20 kN	LP 33/45/56 kN
Operating pressure	3-7 bar	3-7 bar	3-7 bar	3-6 bar
Press force kN at X bar approx.	2 6 bar	4/8/12 7,8 bar	13/20 7 bar	33/45/56 6,5 bar
Air-consumption, max. per stroke	0.3 L x bar	0.48/0.56/0.75 L x bar	1.3/1.7 L x bar	3.2/4.0/4.8 L x bar
Pneumatic connecting hose	1/4"	1/4"	1/4"	1/2"
Mains supply		90-240 V AC	90-240 V AC	90-240 V AC
Control voltage		24 V DC	24 V DC	24 V DC
No. of strokes/min.		55	50	40
Weight approx.	8 kg	36,5 kg	94 kg	205 kg

INFO



GECHTER LP or LHP presses from 4kN upward come equipped with a ram fine-adjustment mechanism as standard (scaling 0.05 mm)

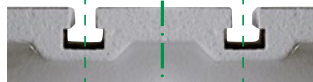


a + b must be ordered separately!

With type 2, 4, 8, 12 LP
1 x DIN 650 M8x10



100



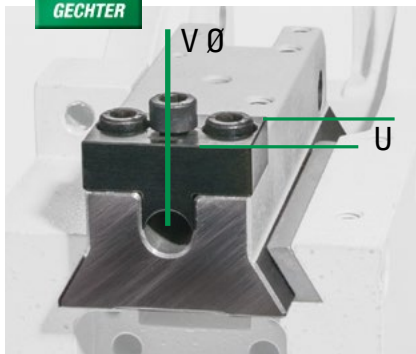
With type 13, 20 LP 2 x DIN 650 M8x10
With type 33, 45, 56 LP 2 x DIN 650 M10x12

With press force
monitoring
[Page 30](#)

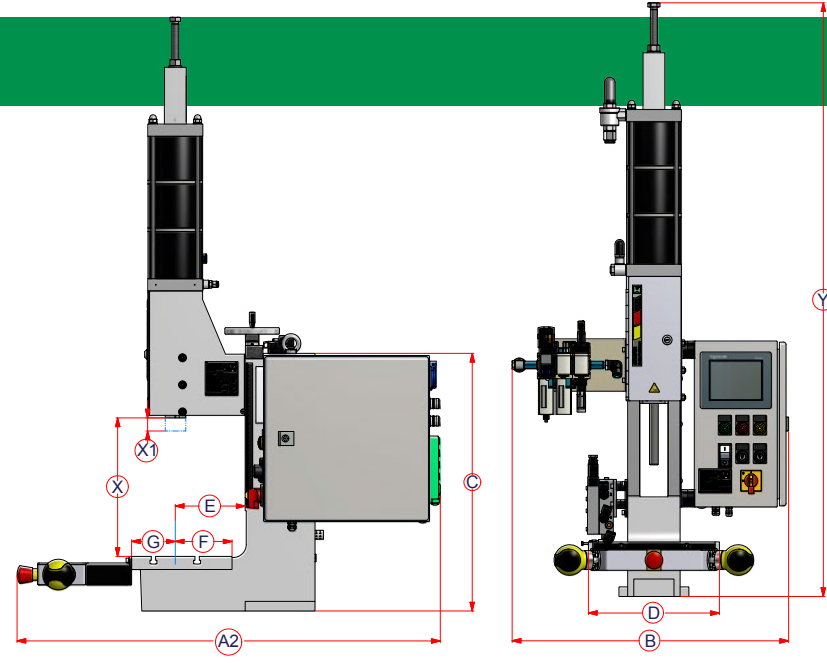


maXYmos

★★★★★
**BEST
GECHTER**



Unique **GECHTER** quality
No-play adjustable prism guide.
The clamping device can be removed
towards the front, so that the clamping
pivot is not damaged.



Dimension	LP 2 kN	LP 4/8/12 kN	LP 13/20 kN	LP 33/45/56 kN
A2		800	930	950
B		580	650	760
C	260	415	590	715
D	120	200	300	340
E	70	120	160	200
F	55	92	130	150
G	39	75	100	120
U	22	21	29	44
V	Ø 10 H7	Ø 10 H7	Ø 15 H7	Ø 25 H7
X	83-180	73-240	100-320	115-370
X1*	0-40	0-40	0-40	0-40
Y	497	778/850/929	1101/1161	1390/1465/1540

Subject to technical modifications.

* Special stroke length on request

Accessories for your press	Options	Your selection	1		2		3		4	
			Type	Type	Type	Type	Type	Type		
Standard press, 40 mm stroke			X	X	X	X	X	X	X	X
Stroke length 60 mm	select one			X	X	X	X	X	X	X
Stroke length 80 mm					X	X	X	X	X	X
Special stroke length on request				X	X	X	X	X	X	X
Extended throat up to 300 mm	select one			X	X	X	X	X	X	X
Extended daylight + 100 mm				X	X	X	X	X	X	X
Two-hand safety controls		ES06			X	X	X	X	X	X
Detailed description of the controls, see Page 34	ZS06	select one			X	X	X	X	X	X
	SpiceFlex modular				X	X	X	X	X	X
Rotary table adjustable to segmentations of 2-24, suitable for presses with SpiceFlex control systems					X	X	X	X	X	X
Highly stressable sliding table, mechanical	select one				X	X	X	X	X	X
Highly stressable sliding table, mechanical with locking bolt					X	X	X	X	X	X
Highly stressable sliding table with electro-pneumatic control						X	X	X	X	X
Press foundation H approx. 700 x W 690 x D 565 mm, adjustable with machine bearing elements	select one				X	X	X	X	X	X
Press foundation H approx. 800 x W 690 x D 565 mm, adjustable with machine bearing elements					X	X	X	X	X	X
Deposit table for lateral attachment to the press foundation on the left side (a), height adjustable					X	X	X	X	X	X
Deposit table for lateral attachment to the press foundation on the right side (b), height adjustable					X	X	X	X	X	X
Modulator valve for stroke speed regulation (no image available)	select any				X	X	X	X	X	X
Fall protection HGL for tools heavier than 15 kg (no image available)					X	X	X	X	X	X
Rotary table changing plate with bores only with RT.						X	X	X	X	X
Footswitch, connected to plug-in connection for SpiceFlex					X	X	X	X	X	X
Clamping pivot without collar	select one				X	X	X	X	X	X
Clamping pivot with collar					X	X	X	X	X	X



X = available