

## Flaring Tools

# 2330 FLARING TOOL BOERDEX

- > For flaring copper and light-alloy pipes of various hardnesses
- > For cooling systems and refrigeration technique
- > Body in pressure-cast zinc, enamelled blue
- > Flange cone 90° hardened = 45° angled from pipe
- > Clamping jaws made from steel, smooth inside, phosphated
- > Opening angle 90° = 45° angled from pipe

Flaring tools for brake lines see no. 1101-2340

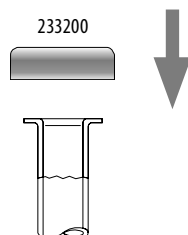
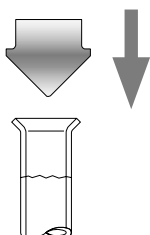


Contents	⚖️	Code	No.
for metric pipes 4, 4.75, 6, 8, 10, 12, 14 mm 1 flaring tool No. 233000 1 cone for 180° flaring No. 233200 1 clamping jaw 4-14 mm No. 233101	1.4	4537300	233001
for metric pipes 15, 16, 17, 18, 19 mm 1 flaring tool No. 233000 1 cone for 180° flaring No. 233200 1 clamping jaw 15-19 mm No. 233109	1.4	1919725	233009
for inch pipes 3/16, 1/4, 5/16, 3/8, 7/16, 1/2, 5/8, 3/4" 1 flaring tool No. 233000 1 cone for 180° flaring No. 233200 1 clamping jaw 3/16-3/4" No. 233107	1.5	4554660	233007

Contents	⚖️	Code	No.
for metric pipes 4, 4.75, 6, 8, 10, 12, 14 mm for inch pipes 3/16, 1/4, 5/16, 3/8, 7/16, 1/2, 5/8, 3/4" 1 flaring tool No. 233000 1 cone for 180° flaring No. 233200 1 clamping jaw 4-14 mm No. 233101 1 clamping jaw 3/16-3/4" No. 233107	2.1	2926741	233013
for metric pipes 4, 4.75, 6, 8, 10, 12, 14, 15, 16, 17, 18, 19 mm 1 flaring tool No. 233000 1 cone for 180° flaring No. 233200 1 clamping jaw 4-14 mm No. 233101 1 clamping jaw 15-19 mm No. 233109	2.0	2926768	233014

CONE 90°

CONE 180°



920

>565



# 1101-2333

## FLARING TOOL SET BOERDEX

in i-BOXX® 72

- > For flaring copper and light-alloy pipes of various hardnesses
- > For cooling systems and refrigeration technique
- > Body in pressure-cast zinc, enamelled blue
- > Flange cone 90° hardened = 45° angled from pipe
- > With cone for 180° flaring = 90° angle from pipe
- > Clamping jaws made from steel, smooth inside, phosphated
- > Complete set for metric and metric/inch pipes
- > With pipe cutter 3-35 mm Ø
- > Delivery in GEDORE i-BOXX® 72 no. 1101 L
- > Dimensions: W 367 x D 316 x H 72 mm

Flaring tools for brake lines see no. 1101-2340



Contents	⚖️	Code	No.
for metric pipes 4, 4.75, 6, 8, 10, 12, 14 mm	2.9	4555550	1101-233301
1 flaring tool No. 233000			
1 clamping jaw 4-14 mm No. 233101			
1 pipe cutter 4-32 mm No. 230010			
1 cone 180° No. 233200			
1 sheet steel case No. 233909			
for metric pipes 15, 16, 17, 18, 19 mm	2.9	1919733	1101-233309
1 flaring tool No. 233000			
1 clamping jaw 15-19 mm No. 233109			
1 pipe cutter 4-32 mm No. 230010			
1 cone 180° No. 233200			
1 sheet steel case No. 233909			
for inch pipes 3/16, 1/4, 5/16, 3/8, 7/16, 1/2, 5/8, 3/4"	3.0	4556280	1101-233307
1 flaring tool No. 233000			
1 clamping jaw 3/16-3/4" No. 233107			
1 pipe cutter 4-32 mm No. 230010			
1 cone 180° No. 233200			
1 sheet steel case No. 233909			

Contents	⚖️	Code	No.
for metric pipes 4, 4.75, 6, 8, 10, 12, 14 mm	3.6	2926776	1101-233313
for inch pipes 3/16, 1/4, 5/16, 3/8, 7/16, 1/2, 5/8, 3/4"			
1 flaring tool No. 233000			
1 clamping jaw 4-14 mm No. 233101			
1 clamping jaw 3/16-3/4" No. 233107			
1 pipe cutter 4-32 mm No. 230010			
1 cone 180° No. 233200			
1 sheet steel case No. 233909			
for metric pipes 4, 4.75, 6, 8, 10, 12, 14, 15, 16, 17, 18, 19 mm	3.5	2926784	1101-233314
1 flaring tool No. 233000			
1 clamping jaw 4-14 mm No. 233101			
1 clamping jaw 15-19 mm No. 233109			
1 pipe cutter 4-32 mm No. 230010			
1 cone 180° No. 233200			
1 sheet steel case No. 233909			

## E 233

### PARTS



2331



233200

Description	⚖️	Code	No.
Flaring tool boerdex	0.660	4554150	233000
Clamping jaw 4-14 mm	0.620	4554820	233101
Clamping jaw 15-19 mm	0.560	1885162	233109
Clamping jaw 3/16" - 3/4"	0.680	4555470	233107
Cone for 180° flaring (= 90° angled from pipe)	0.015	4505450	233200
Pipe cutter for copper pipes 3-35 mm	0.335	2964031	2250 3



# 1101-2340 DOUBLE FLARING TOOL SET

in i-BOXX® 72

- > For standard-compliant (DIN 74234) double flaring tools
- > For brake lines, coolant lines, hydraulic and pneumatic pipes with a wall thickness of 0.7 to 1.0 mm
- > Body in tempered cast iron GTW 40, stove enamelled blue
- > Clamping jaws made from steel, smooth inside, phosphated
- > Complete set for metric and/or inch pipes
- > With pipe deburring reamer 4-32 mm Ø and miniature pipe cutter 4-16 mm Ø
- > Delivery in GEDORE i-BOXX® 72 No. 1101 L
- > Dimensions: W 367 x D 316 x H 72 mm



Contents	Weight	Code	No.
<b>for metric pipes</b>	3.0	4505530	1101-234001
1 basic frame No. 234000			
1 clamping jaw metric No. 234101			
6 cones 4,75-10 mm No. 234204-234210			
2 cones, No. 234790 + 234801			
1 miniature pipe cutter 4-16 mm No. 231000			
1 pipe deburring reamer 4-32 mm No. 232001			
1 GEDORE i-BOXX® 72 No. 1101 L			

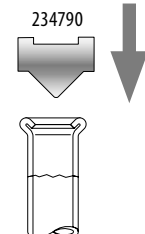
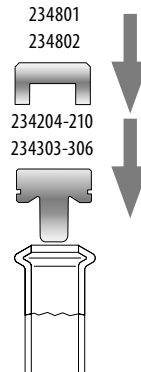
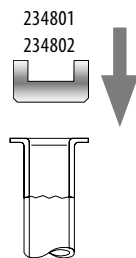
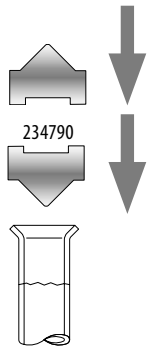
Contents	Weight	Code	No.
<b>for metric + inch pipes</b>	4.2	4662980	1101-234013
1 basic frame No. 234000			
2 clamping jaws No. 234101 + 234102			
6 cones 4,75-10 mm No. 234204-234210			
4 cones 3/16-3/8" No. 234303-234306			
3 cones No. 234790 + 234801-802			
1 miniature pipe cutter 4-16 mm No. 231000			
1 pipe deburring reamer 4-32 mm No. 232001			
1 GEDORE i-BOXX® 72 No. 1101 L			

## CONE 90°

## CONE 180°

## FLARE F OPEN

## FLARE E DOUBLE



## E 2340 PARTS



Description	Weight	Code	No.
<b>Basic frame</b>	0.880	4556440	234000
<b>Clamping jaw metric</b>	0.760	4556520	234101
<b>Clamping jaw inch</b>	0.760	4556600	234102
<b>Cone 4,75 mm for flare types E + F</b>	0.018	4556790	234204
<b>Cone 5 mm for flare types E + F</b>	0.018	4556870	234205
<b>Cone 6 mm for flare types E + F</b>	0.018	4556950	234206
<b>Cone 8 mm for flare types E + F</b>	0.018	4557090	234208
<b>Cone 9 mm for flare types E + F</b>	0.018	4557170	234209
<b>Cone 10 mm for flare types E + F</b>	0.018	4557250	234210
<b>Cone 3/16" for flare types E + F</b>	0.018	4557330	234303
<b>Cone 1/4" for flare types E + F</b>	0.018	4557410	234304

Description	Weight	Code	No.
<b>Cone 5/16" for flare types E + F</b>	0.018	4557680	234305
<b>Cone 3/8" for flare types E + F</b>	0.018	4557760	234306
<b>Cone (adjustment gauge) for flare types 90° + 180° and cone 90° + flare E</b>	0.016	4557840	234790
<b>Cone (adjustment gauge), metric, 180°, for flare types E + F</b>	0.011	4557920	234801
<b>Cone (adjustment gauge), inch, 180°, for flare types E + F</b>	0.011	4558060	234802
<b>Pipe cutter MINI-QUICK, 4-16 mm</b>	0.125	4504560	231000
<b>Pipe deburring reamer 4-32 mm</b>	0.030	1439510	232001



## Installation Tools

### 312 VALVE HOLDER VENTI-QUICK

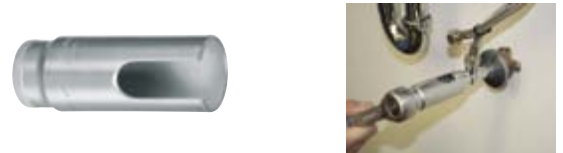
- > In aluminium
- > Drain valve holder and screw-in wrench for eccentric and standard valves 1.1/4"
- > Usable from top or bottom



↳ mm	⚖️	Code	No.
120	0.255	4508980	312000

### 314 CORNER VALVE SOCKET WRENCH

- > Chrome-vanadium steel 31CrV3, hardened, zinc-plated
- > For surface-protective assembling of all usual corner valves
- > With chamfered driving edges
- > 1/2" internal square drive



↳ mm	internal Ø	⚖️	Code	No.
82	27	0.150	1147471	314000

### 3170 INSTALLATION WRENCH

- > For washbasin mountings
- > With moveable stud screw insert for bathroom fittings attachment M10 or M12
- > Open end spanner size 17x19 mm for tightening or loosening of corner valves



for stud screws	Size	↳ mm	⚖️	Code	No.
<b>M10</b>	17x19 mm	250	0.330	4509360	317000
<b>M12</b>	17x19 mm	250	0.330	4609310	317012

### 3175 INSTALLATION WRENCH

- > For washbasin mountings
- > With moveable stud screw insert for bathroom fittings attachment M10 or M12
- > With reversible ring ratchet size 17 mm for tightening or loosening of bathroom fittings connections even in hard-to-reach areas
- > Open end spanner size 19 mm for tightening or loosening of corner valves
- > GEDORE vanadium steel 31CrV3, matt chrome-plated



for stud screws	Size	↳ mm	⚖️	Code	No.
<b>M10</b>	17x19 mm	250	0.330	4509520	317500
<b>M12</b>	19x19 mm	250	0.330	4609580	317512

### 3171 STUD SCREW WRENCH

- > For bathroom fittings attachment (stud screws) M6, M8, M10, M12
- > With pivotable thread insert
- > Nickel-plated



↳ mm	⚖️	Code	No.
220	0.300	4509440	317100

### 3173 STUD SCREW INSERTER

- > Self-gripping
- > For the fast and easy insertion and removal of studs, bolts, etc.
- > With hexagon drive

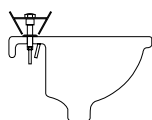


Size	⚖️	Code	No.
<b>M6</b>	0.130	1523171	317306
<b>M8</b>	0.130	1523198	317308
<b>M10</b>	0.130	1523201	317310
<b>M12</b>	0.130	1523228	317312



## 3165 BASIN WRENCH

- > For single lever taps and taps with central screw connection up to size 36 mm
- > With 13 mm hexagon drive and additional adaptors for 9, 10, 11 and 14 mm
- > With pivoted hook for right or left hand operation
- > Enamelled blue



↳ mm ▷	kg	Code	No.
260	0.410	2829274	316500

## 320 WRENCH FOR PLUMBING FITTINGS

- > With pawl clamp
- > With exchangeable plastic jaws no. 320100, width 8 mm
- > For nickel-plated and chrome-plated fittings
- > Chrome-vanadium steel 31CrV3, hardened, chrome-plated
- > Handle enamelled blue



mm	mm	↳ mm ▷	kg	Code	No.
65	45	275	0.720	4509600	320000

Description	kg	Code	No.
Set of plastic jaws	0.010	4540520	320100

## 126 STRAP WRENCH

- > Very gentle to surfaces, particularly suitable for chrome-plated fittings and polished surfaces
- > Handle in light metal, enamelled blue
- > With high-strength nylon strap



Ø mm	Ø inch	↳ mm ▷	mm	kg	Code	No.
220	8	300	27	0.325	1468308	126008

## 329 SPECIAL SIPHON PLIERS

- > For tightening and removing screwed PVC pipe joints with round union nuts
- > With lap joint and three locking positions, jaw width 10 mm
- > No. 329001 with plastic jaws for special surface protection
- > Enamelled blue



329000



329001

Ø mm	↳ mm ▷	kg	Code	No.
20-65	230	0.300	4510290	329000
20-65	230	0.300	1984381	329001

## E 126 SPARE STRAP

- > High-strength nylon strap



↳ mm ▷	mm	kg	Code	No.
950	27	0.035	1468316	126208

## 376 STEPPED KEY

- > For the installation and removal of valve nipples 3/8", 1/2", 3/4", 1", 1.1/4"
- > Drive with 18 mm square
- > Enamelled blue



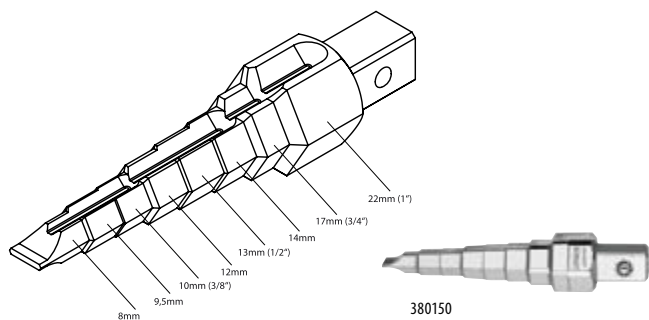
kg	Code	No.
0.245	4541250	376100

## 380 COMBINATION STEPPED KEY

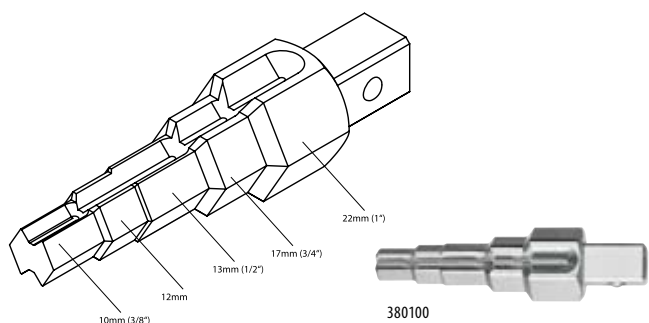
- > For the installation and removal of radiator valves, runback screwed unions 3/8" - 1" and short tap extensions
- > With pin, hexagon and bi-hexagon nut drive
- > 1/2" square drive
- > Nickel-plated



380200



380150

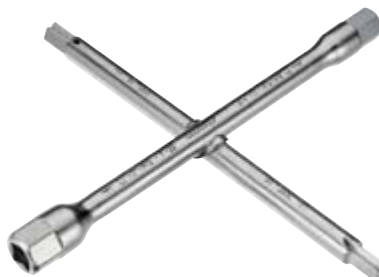


380100

Description	kg	Code	No.
<b>Combi-stepped key No. 380100 with ratchet 1/2" No. 380200</b>	0.555	4512900	380000
<b>Combi-stepped key No. 380150 with ratchet 1/2" No. 380200</b>	0.555	4630940	380001
<b>Combi-stepped key with 5 steps 3/8"-1"</b>	0.135	4513040	380100
<b>Combi-stepped key with 8 steps</b>	0.135	4611130	380150
<b>Ratchet 1/2"</b>	0.420	4513120	380200

## 3785 PLUMBER'S WRENCH

- > With 14 functions for tap extensions 3/8", 1/2", 3/4", 1"
- > Depth up to 100 mm
- > For the installation and removal of radiator valves and runback screwed unions
- > For stud screws M6, M8, M10, M12 and for screw plugs 3/8", 1/2"
- > Hexagon drive nut size 17, 22 mm
- > Chrome-plated



mm	kg	Code	No.
220 x 220	0.670	4512820	378500

## 3810 RADIATOR VALVE SPANNER

- > Spanner for tightening and removing Euro-cone radiator compression fittings with A/F 30 mm cam lock and hex nuts
- > Short, flat version with ratchet
- > Ratchet facilitates tightening of straight and elbow compression fittings underneath radiators
- > Head end socket for 1/2" extension. The extension is used as a handle and also provides higher torque
- > Side socket for 1/2" extension for working with the ratchet in front of the radiator
- > Socket for no. 3801 combination stepped key 3/4" radiator valve nipples
- > DBGM (= German Utility Patent)



381000



381030



Description	kg	Code	No.
<b>Radiator valve spanner no. 381030 with extension 1/2" no. 1990-5</b>	0.390	2233673	381000
<b>Radiator valve spanner 30 mm Extension 1/2" 125 mm</b>	0.225	2233665	381030
	0.188	6143860	1990-5