

# Rotating Trolleys

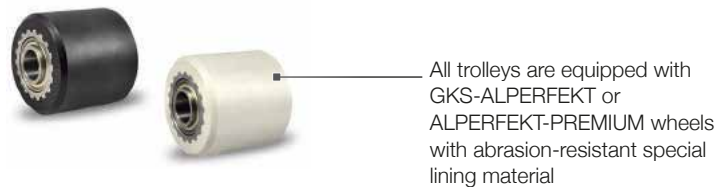
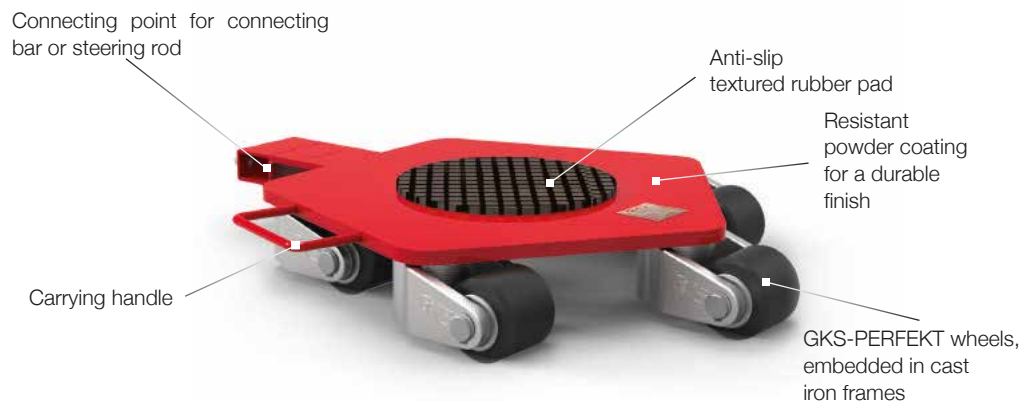
RL



# Rotating Trolleys RL

GKS-PERFEKT rotating trolleys are available for loads from 1 to 12 tons. Special bearings in our rotating trolleys allows easy moving and rotating 360° in place on its own axis. There is the ability to use three or four rotating trolleys simultaneously. A combination of trolleys L / F / TL is possible, depending on the situation. Available for delivery with connecting bar and steering rod.

## Rotating Trolley RL 4



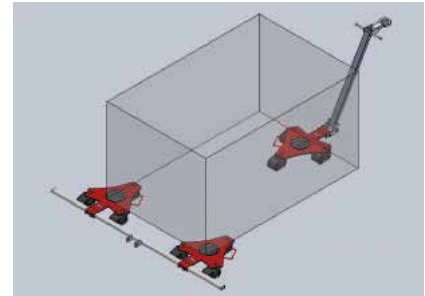
**To connect several rotating trolleys, connecting bars of various lengths and steering rods are available for delivery on request.**



**Transport Trolleys RL1 ▶▶ For heavy loads up to 1 ton**

**Features:**

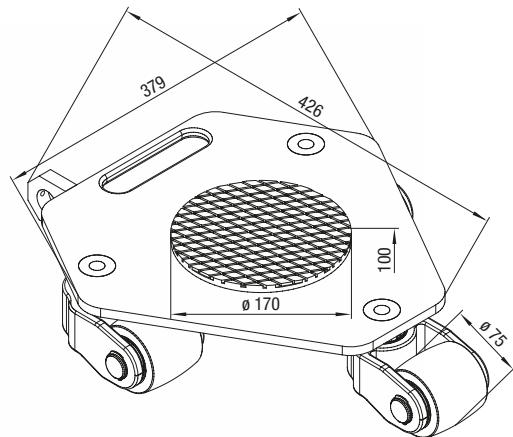
- RL trolleys with the same loading height can be combined, as shown, as 3 or 4-point supports with a connecting bar and steering rod (optional)
- Very low loading height



**Technical data**

**RL1**

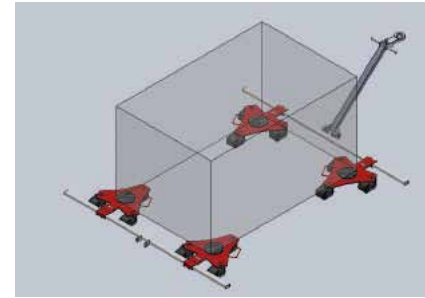
Item number	11456
Number of wheels / dimensions	3 / 75 x 66 mm
Loading height	100 mm
Overall dimensions (L x W x H)	426 x 379 x 100 mm
Tare weight in kg	15 kg
Load Capacity	10 kN (1 t)



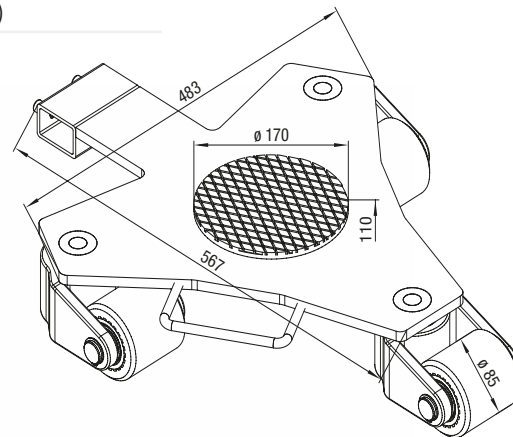


**Transport Trolleys RL2 ▶▶ For heavy loads up to 2 tons**

- Features:**
- RL trolleys with the same loading height can be combined, as shown, as 3 or 4-point supports with a connecting bar and steering rod (optional)
  - A version with GKS-ALPERFEKT-PUR wheels is also available for sensitive floors
  - Various RL models with the same loading height can be combined



Technical data	RL2
Item number	10238
Number of wheels / dimensions	3 / 85 x 85 mm
Loading height	110 mm
Overall dimensions (L x W x H)	567 x 483 x 110 mm
Tare weight in kg	30 kg
Load Capacity	20 kN (2 t)

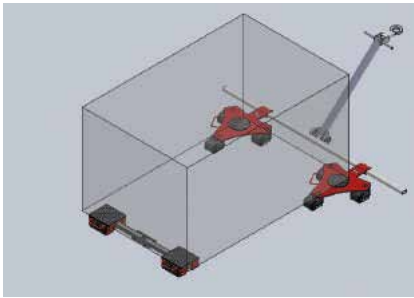


- Contents
- Hydraulic Toe Jacks
- Pumps
- Transport Trolleys
- Rotating Trolleys
- Transport Module ROBOT
- Wheels
- Special Transport Trolleys
- Repair Services

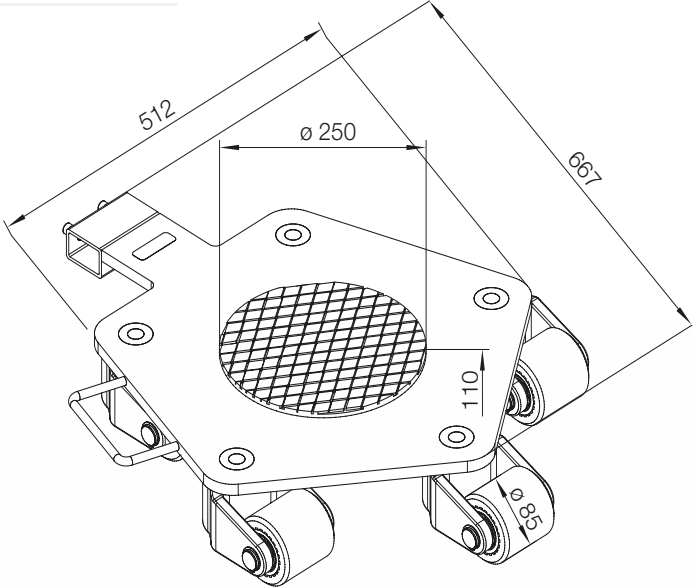


**Transport Trolleys RL4 ▶▶ For heavy loads up to 4 tons**

**Features:**  
▪ Rotating trolleys can also be combined with F or TL trolleys of the same loading height



Technical data	RL4
Item number	10240
Number of wheels / dimensions	5 / 85 x 85 mm
Loading height	110 mm
Overall dimensions (L x W x H)	667 x 512 x 110 mm
Tare weight in kg	50 kg
Load Capacity	40 kN (4 t)



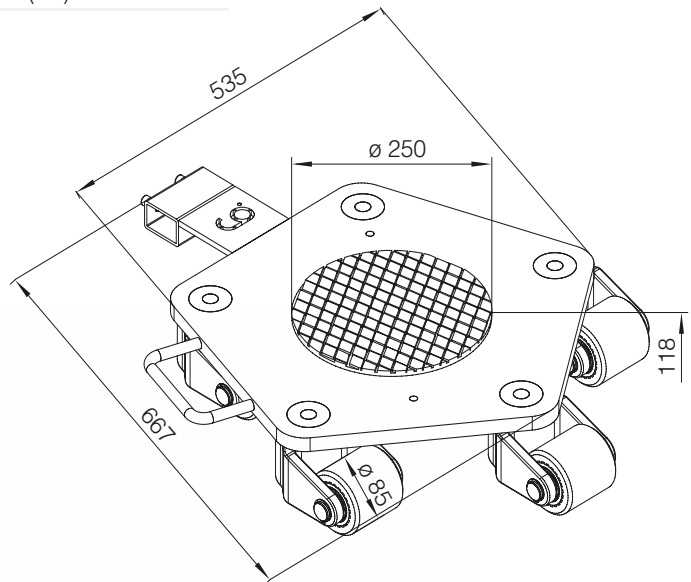


**Transport Trolleys RL6 ▶▶ For heavy loads up to 6 tons**

**Features:**  
▪ Rotating trolleys can also be combined with F or TL trolleys of the same loading height



Technical data	RL6
Item number	13439
Number of wheels / dimensions	5 / 85 x 85 mm
Loading height	118 mm
Overall dimensions (L x W x H)	667 x 535 x 118 mm
Tare weight in kg	60 kg
Load Capacity	60 kN (6 t)



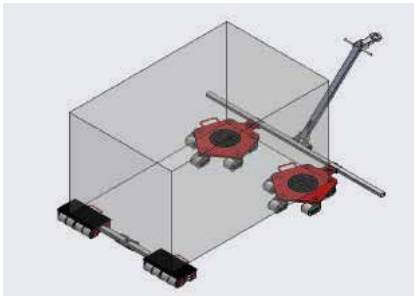
- Contents
- Hydraulic Toe Jacks
- Pumps
- Transport Trolleys
- Rotating Trolleys**
- Transport Module ROBOT
- Wheels
- Special Transport Trolleys
- Repair Services



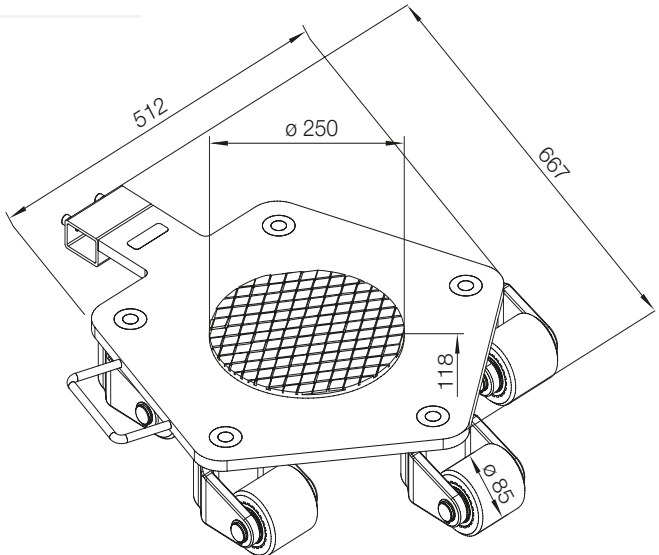
**Transport Trolleys RL8 ▶▶ For heavy loads up to 8 tons**

**Features:**  
▪ Rotating trolleys can also be combined with F or TL trolleys of the same loading height

Technical data	RL8
Item number	13817
Number of wheels / dimensions	5 / 85 x 85 mm
Loading height	118 mm
Overall dimensions (L x W x H)	667 x 512 x 118 mm
Tare weight in kg	60 kg
Load Capacity	80 kN (8 t)



**NEW**





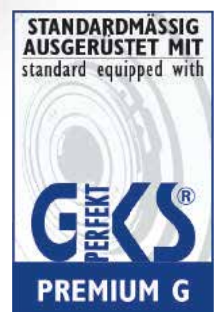
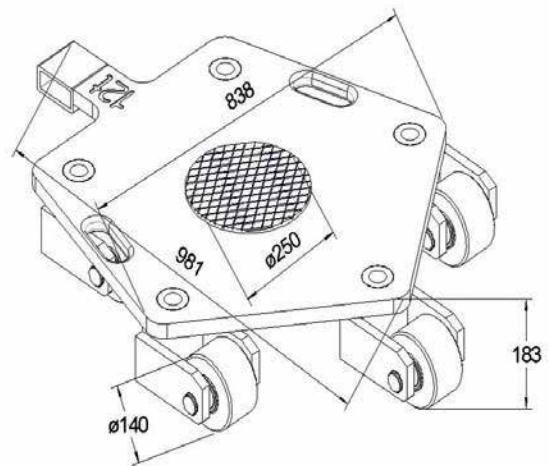
**Transport Trolleys RL12 ▶▶ For heavy loads up to 12 tons**

- Features:**
- Heavy-duty model
  - Rotating trolleys can also be combined with F or TL trolleys of the same loading height



Technical data	RL12
Item number	13818
Number of wheels / dimensions	5 / 140 x 85 mm
Loading height	183 mm
Overall dimensions (L x W x H)	981 x 838 x 183 mm
Tare weight in kg	185 kg
Load Capacity	120 kN (12 t)

**NEW**



- Contents
- Hydraulic Toe Jacks
- Pumps
- Transport Trolleys
- Rotating Trolleys
- Transport Module ROBOT
- Wheels
- Special Transport Trolleys
- Repair Services