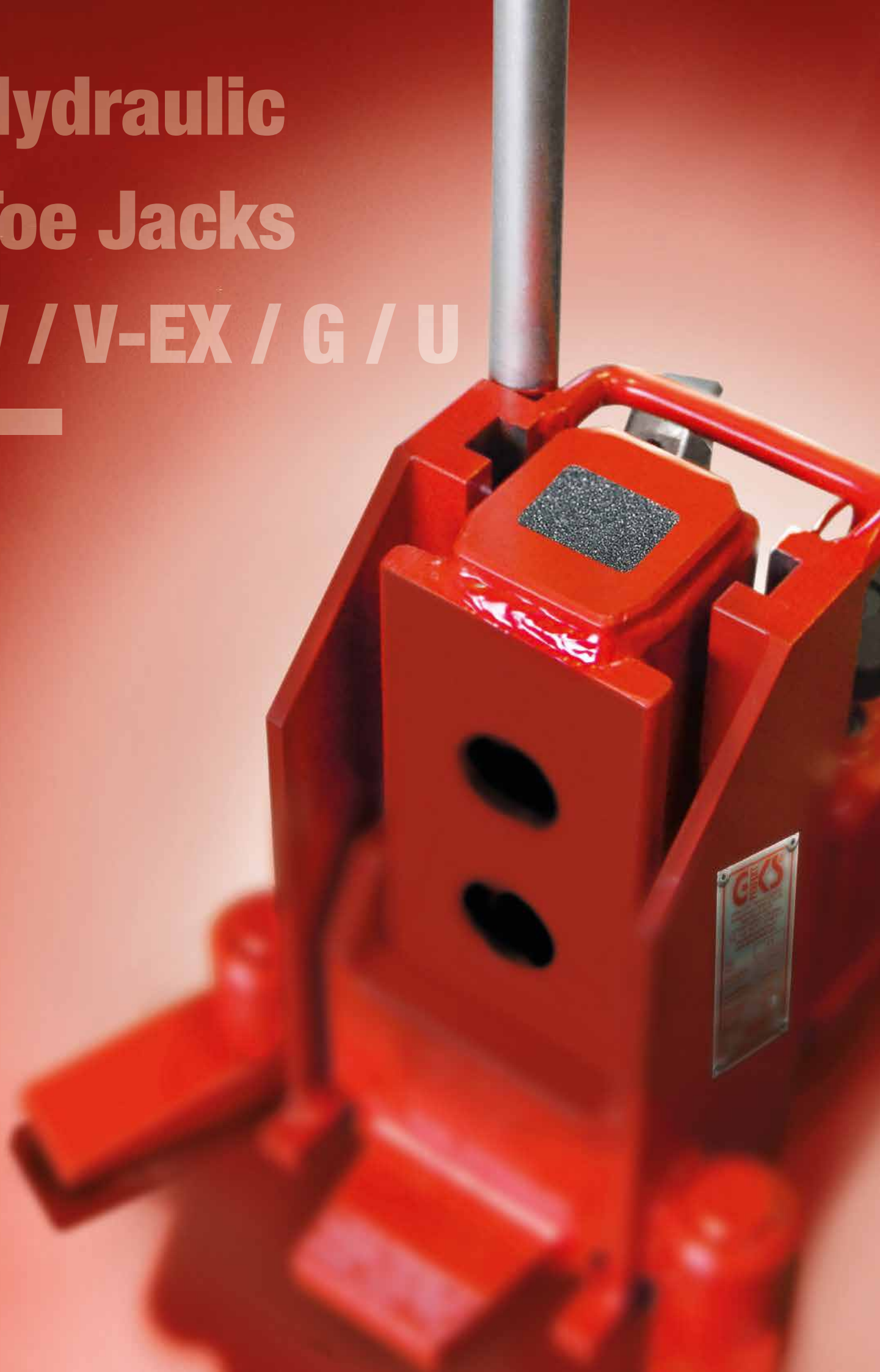


Hydraulic Toe Jacks

V / V-EX / G / U

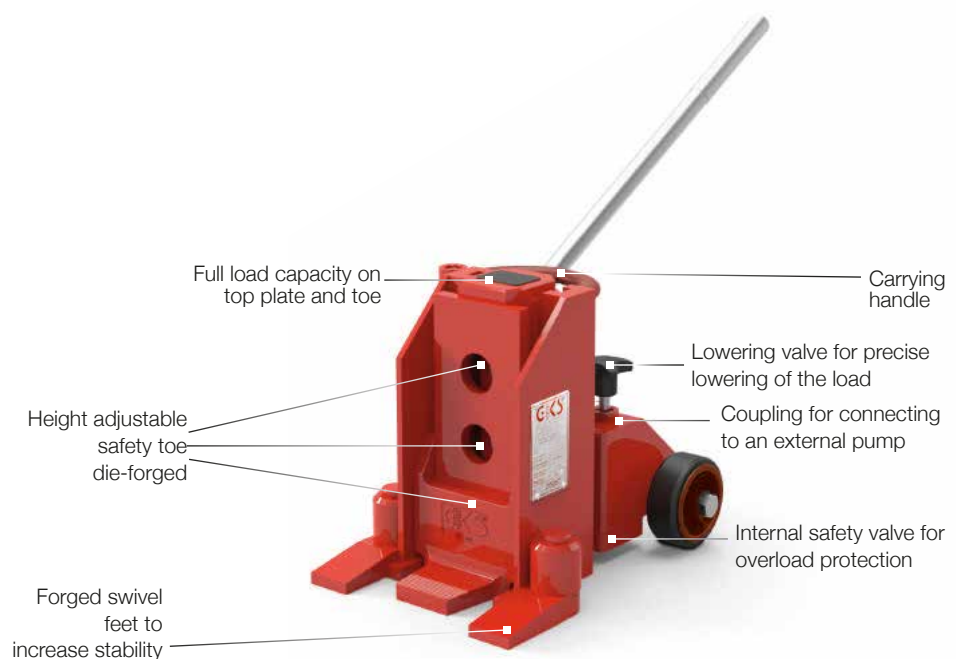


Hydraulic Toe Jacks V / V-EX / G / U

GKS-PERFEKT hydraulic toe jacks meet the highest quality standards. For decades our equipment has been proven worldwide to be exceptionally robust and durable. Our jacks are 100% tested and approved before leaving the factory to assure proper functionality and appearance. The customer receives a ready to use, practical device for multi-purpose applications at any given site, such as the factory floor, the shop, outside or in production.

FEATURES

- High-quality materials
- Precision guideways
- Our well-proven, die-forged and hight-adjustable safety toe with high safety margin
- Test mark BGV D8 (DE), ANSI/ASME (US)
- Modular design for easy repair/maintenance
- Lifetime technical support
- Especially low loading height, as low as 15 mm



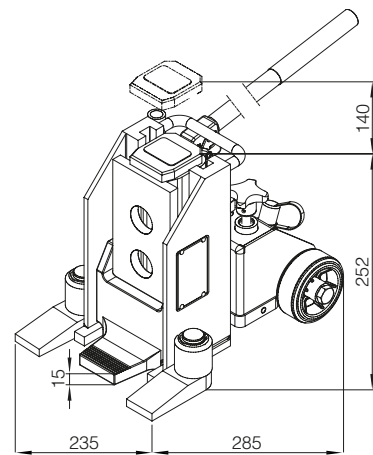


Toe Jack V5 ▶▶ For heavy loads up to 5 tons

- Features:**
- Forged safety toe, made of high-strength, hardened and tempered high-quality steel
 - Forging yields a very high safety margin (exceeds the EU Directive 2006/42/EC)
 - A peg on the back secures correct insertion
 - Using the hand pump PV with 2 jacks or electric pump PE with 4 jacks or Quadro synchronous lifting device can double/quadruple the load capacity.



Technical data	V5
Item number	10181
Full load capacity	50 kN (5 t)
Working pressure	520 bar
Minimum loading height using safety toe	15 mm
Lifting height	140 mm
Adjustable range of safety toe	3 x
Loading height using top plate	252 mm
Overall dimensions (L x W x H)	285 x 235 x 252 mm
Tare weight in kg with oil fill	21 kg





Toe Jack V10 ▶▶ For heavy loads up to 10 tons

Features:

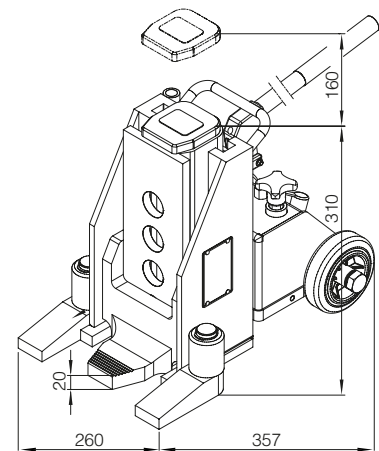
- Forged safety toe, made of high-strength, hardened and tempered steel
- Forging yields a very high safety margin (exceeds the EU Directive 2006/42/EC)
- A peg on the back secures correct insertion
- Using the hand pump PV with 2 jacks or electric pump PE with 4 jacks or Quadro synchronous lifting device can double/quadruple the load capacity.



Technical data

V10

Item number	10182
Full load capacity	100 kN (10 t)
Working pressure	520 bar
Minimum loading height using safety toe	20 mm
Lifting height	160 mm
Adjustable range of safety toe	4 x
Loading height using top plate	310 mm
Overall dimensions (L x W x H)	357 x 260 x 310 mm
Tare weight in kg with oil fill	32 kg





Toe Jack V15 ▶ ▶ For heavy loads up to 15 tons

Features:

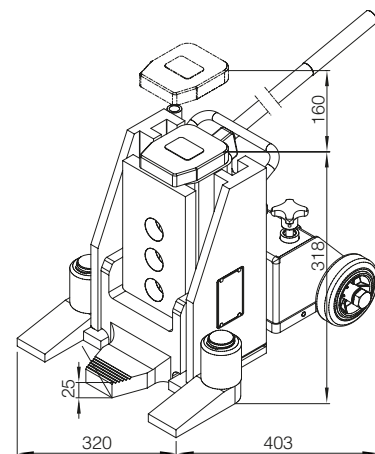
- Forged safety toe, made of high-strength, hardened and tempered steel
- Forging yields a very high safety margin (exceeds the EU Directive 2006/42/EC)
- A peg on the back secures correct insertion
- Using the hand pump PV or electric pump PE with two or more jacks can double/quadruple the load capacity.



Technical data

V15

Item number	10183
Full load capacity	150 kN (15 t)
Working pressure	520 bar
Minimum loading height using safety toe	25 mm
Lifting height	160 mm
Adjustable range of safety toe	4 x
Loading height using top plate	318 mm
Overall dimensions (L x W x H)	403 x 320 x 318 mm
Tare weight in kg with oil fill	53 kg

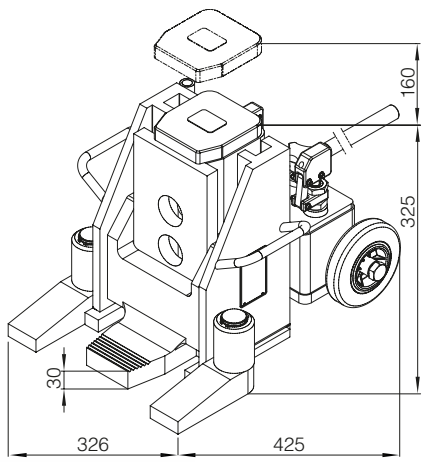




Toe Jack V20 ▶▶ For heavy loads up to 20 tons

- Features:**
- Easily roll our toe jacks by tilting the units onto their transport wheels, saving your strength and back
 - Quick lift with triple the travel per lift

Technical data	V20
Item number	10184
Full load capacity	200 kN (20 t)
Working pressure	520 bar
Minimum loading height using safety toe	30 mm
Lifting height	160 mm
Adjustable range of safety toe	3 x
Loading height using top plate	325 mm
Overall dimensions (L x W x H)	425 x 326 x 325 mm
Tare weight in kg with oil fill	72 kg



- Contents
- Hydraulic Toe Jacks
- Pumps
- Transport Trolleys
- Rotating Trolleys
- Transport Module ROBOT
- Wheels
- Special Transport Trolleys
- Repair Services



Toe Jack V5-EX ▶▶ For heavy loads up to 5 tons

Features:

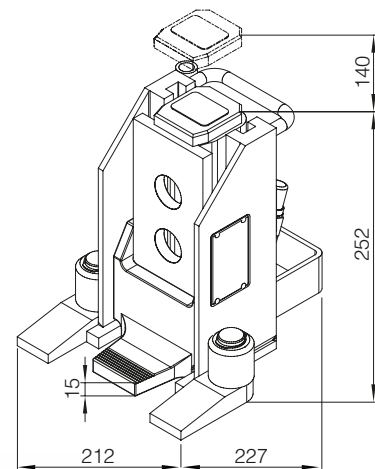
- For difficult to access spaces and where a safety distance is required
- Up to two hydraulic jacks can be operated with the hand pump PV or (up to four jacks) with the electric pump PE
- only for use with an external pump



Technical data

V5-EX

Item number	10185
Full load capacity	50 kN (5 t)
Working pressure	520 bar
Minimum loading height using safety toe	15 mm
Lifting height	140 mm
Adjustable range of safety toe	3 x
Loading height using top plate	252 mm
Overall dimensions (L x W x H)	227 x 212 x 252 mm
Tare weight in kg	17 kg





Toe Jack V10-EX ▶▶ For heavy loads up to 10 tons

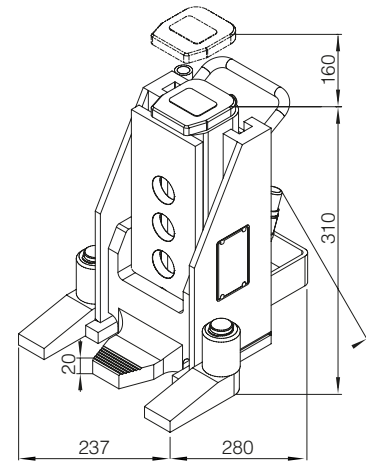
Features:

- For difficult to access spaces and where a safety distance is required
- Up to two hydraulic jacks can be operated with the hand pump PV or (up to four jacks) with the electric pump PE
- only for use with an external pump

Technical data

V10-EX

Item number	10186
Full load capacity	100kN (10 t)
Working pressure	520 bar
Minimum loading height using safety toe	20 mm
Lifting height	160 mm
Adjustable range of safety toe	4 x
Loading height using top plate	310 mm
Overall dimensions (L x W x H)	280 x 237 x 310 mm
Tare weight in kg	27 kg



Contents

Hydraulic
Toe Jacks

Pumps

Transport Trolleys

Rotating Trolleys

Transport Module
ROBOT

Wheels

Special
Transport Trolleys

Repair
Services



Toe Jack V30-EX ▶▶ For heavy loads up to 30 tons

Features:

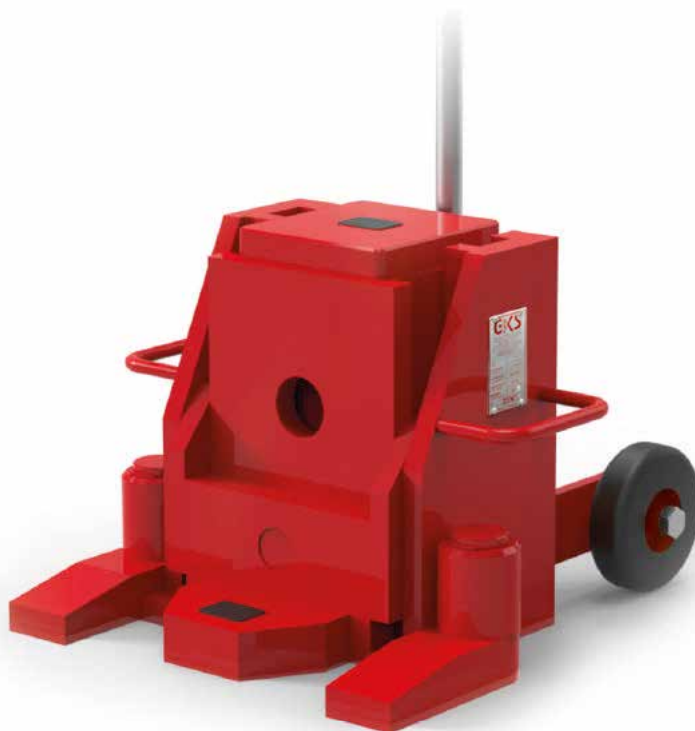
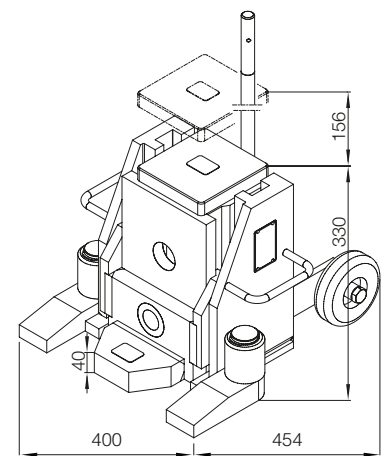
- For difficult to access spaces and where a safety distance is required
- Operated with the hand pump PV (one jack) or with the electric pump PE (up to two jacks)
- only for use with an external pump



Technical data

V30-EX

Item number	11140
Full load capacity	300 kN (30 t)
Minimum loading height using safety toe	40 mm
Working pressure	430 bar
Lifting height	156 mm
Adjustable range of safety toe	2 x
Loading height using top plate	330 mm
Overall dimensions (L x W x H)	454 x 400 x 330 mm
Tare weight in kg	105 kg





Toe Jack V5K-EX ▶▶ For heavy loads up to 5 tons

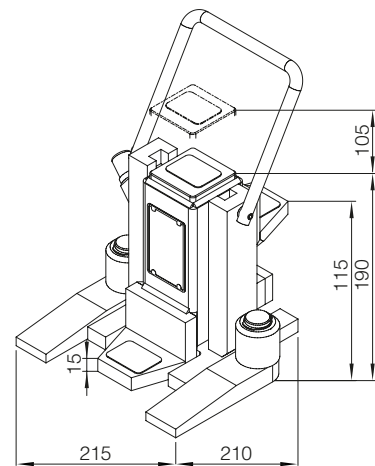
Features:

- Low build with solid feet on both sides
- Up to two hydraulic jacks can be operated with the hand pump PV or (up to four jacks) with the electric pump PE
- only for use with an external pump

Technical data

V5K-EX

Item number	10187
Full load capacity	50 kN (5 t)
Working pressure	520 bar
Minimum loading height using safety toe	15 mm
Lifting height	105 mm
Maximum lifting height for toe 1 / toe 2	120 / 220 mm
Loading height using top plate	190 mm
Overall dimensions (L x W x H)	210 x 215 x 190 mm
Tare weight in kg	12 kg



Contents

Hydraulic
Toe Jacks

Pumps

Transport Trolleys

Rotating Trolleys

Transport Module
ROBOT

Wheels

Special
Transport Trolleys

Repair
Services



Toe Jack V10K-EX ▶ ▶ For heavy loads up to 10 tons

Features:

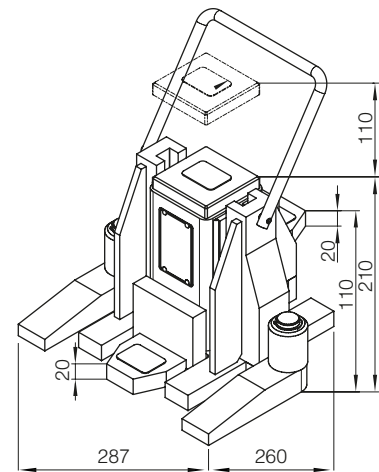
- Low build with solid feet on both sides
- Up to two hydraulic jacks can be operated with the hand pump PV or (up to four jacks) with the electric pump PE
- only for use with an external pump



Technical data

V10K-EX

Item number	11889
Full load capacity	100kN (10 t)
Working pressure	520 bar
Minimum loading height using safety toe	20 mm
Lifting height	110 mm
Maximum lifting height for toe 1 / toe 2	130 / 220 mm
Loading height using top plate	210 mm
Overall dimensions (L x W x H)	260 x 287 x 210 mm
Tare weight in kg	24 kg

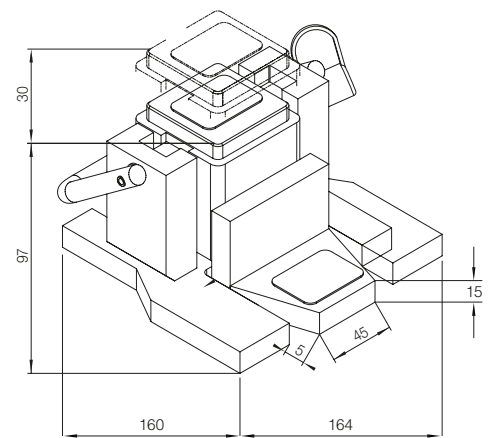




Toe Jack V5KK-EX ▶ ▶ For heavy loads up to 5 tons

Features:

- Extremely low build for enclosed machines
- Compact dimensions, low design, low weight but 50 kN full-load capacity. This toe jack is ideal for low-built machines with sheet metal enclosures.
- Even difficult to access spaces can be met with a hydraulic hose, quick-release coupling and a model PV-K hand pump. Up to two jacks can be connected.
- This jack is your first choice if workplace safety is of utmost importance and the load must be lifted from the distance.
- Using a screwed guideways design diminishes wear and the components are easy to replace
- only for use with an external pump



Technical data

V5KK-EX

Item number	13701
Full load capacity	50 kN (5 t)
Working pressure	520 bar
Minimum loading height using safety toe	15 mm
Lifting height	30 mm
Loading height using top plate	97 mm
Overall dimensions (L x W x H)	160 x 164 x 97 mm
Tare weight in kg	7 kg



Contents

Hydraulic
Toe Jacks

Pumps

Transport Trolleys

Rotating Trolleys

Transport Module
ROBOT

Wheels

Special
Transport Trolleys

Repair
Services



Toe Jack G5 ▶ ▶ For heavy loads up to 5 tons

Features:

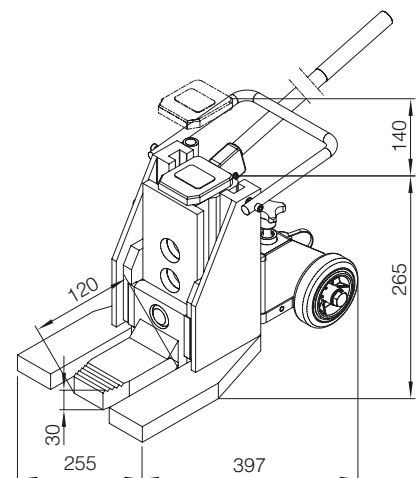
- Specially designed for maintenance purposes on fork lift trucks and other industrial vehicles
- Outstanding stability due to solid feet and an extended grooved safety toe



Technical data

G5

Item number	10189
Full load capacity	50 kN (5 t)
Working pressure	520 bar
Minimum loading height using safety toe	30 mm
Lifting height	140 mm
Adjustable range of safety toe	3 x
Loading height using top plate	265 mm
Overall dimensions (L x W x H)	397 x 255 x 265 mm
Tare weight in kg with oil fill	30 kg



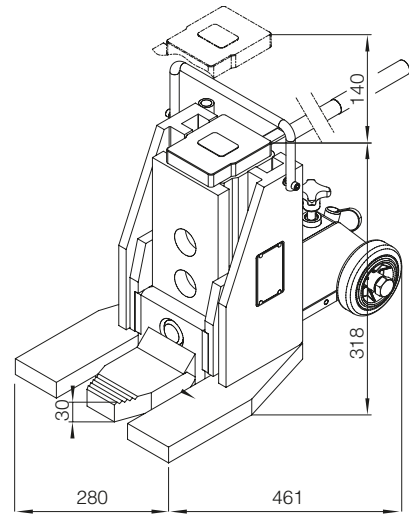


Toe Jack G10 ▶ ▶ For heavy loads up to 10 tons

- Features:**
- Specially designed for maintenance purposes on fork lift trucks and other industrial vehicles
 - Outstanding stability due to solid feet and an extended grooved safety toe



Technical data	G10
Item number	12378
Full load capacity	100 kN (10 t)
Working pressure	520 bar
Minimum loading height using safety toe	30 mm
Lifting height	140 mm
Adjustable range of safety toe	3 x
Loading height using top plate	318 mm
Overall dimensions (L x W x H)	461 x 280 x 318 mm
Tare weight in kg with oil fill	57 kg



- Contents
- Hydraulic Toe Jacks
- Pumps
- Transport Trolleys
- Rotating Trolleys
- Transport Module ROBOT
- Wheels
- Special Transport Trolleys
- Repair Services