



Hydraulic Electric Pump PE

Features:

- Standard model including remote control, pressure gauge, 2/2 directional control valves for single-acting cylinders and 2 x 3 m hydraulic hoses with non-drip quick-release fasteners on both sides.

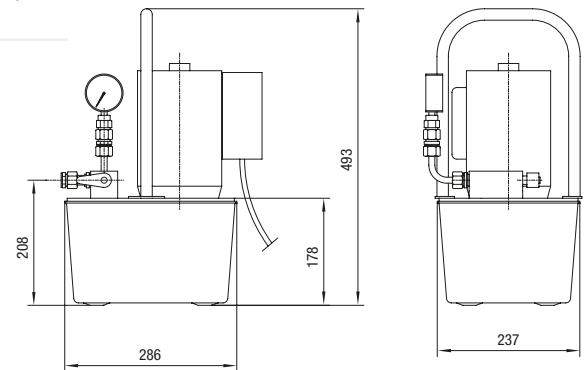
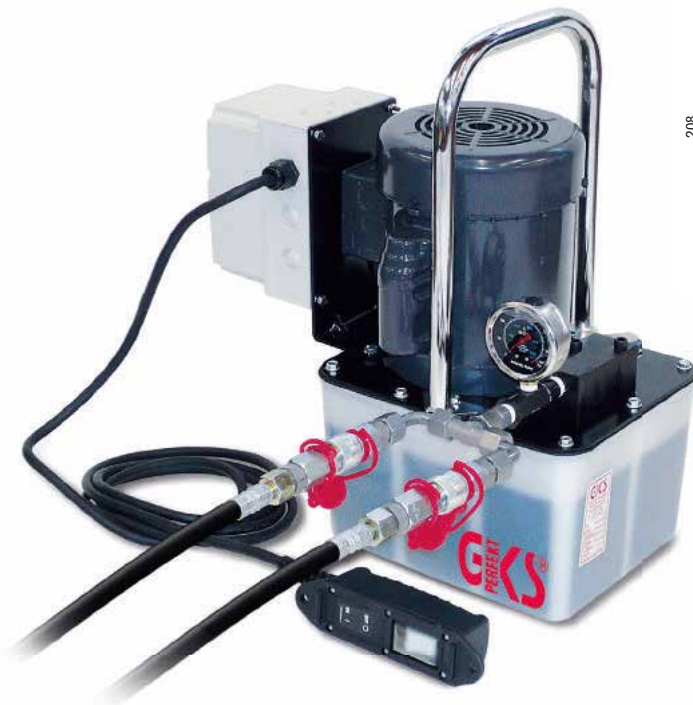


Technical data

PE

| | |
|--|--|
| Item number | 10199 |
| Working pressure (preset) | 520 bar |
| Flow rate stage 1 7 bar | 2.5 l / min |
| Flow rate stage 2 520 bar | 0.3 l / min |
| Tank capacity* | 4.7 l |
| Overall dimensions (L x W x H) | 286 x 237 x 493 mm |
| Tare weight in kg incl. oil fill (without hoses) | 30 kg |
| Hydraulic hose (3 m), quick-release fastener | 2 |
| Electrical connection | 230 V / 50 Hz |
| For GKS toe jack models | 2 x V5, V5-EX, V5K-EX, G5, V10, V10K, V10-EX, V15, V20, V30-EX |

* Optional 9.5 l tank





Hydraulic Electric Pump PE2

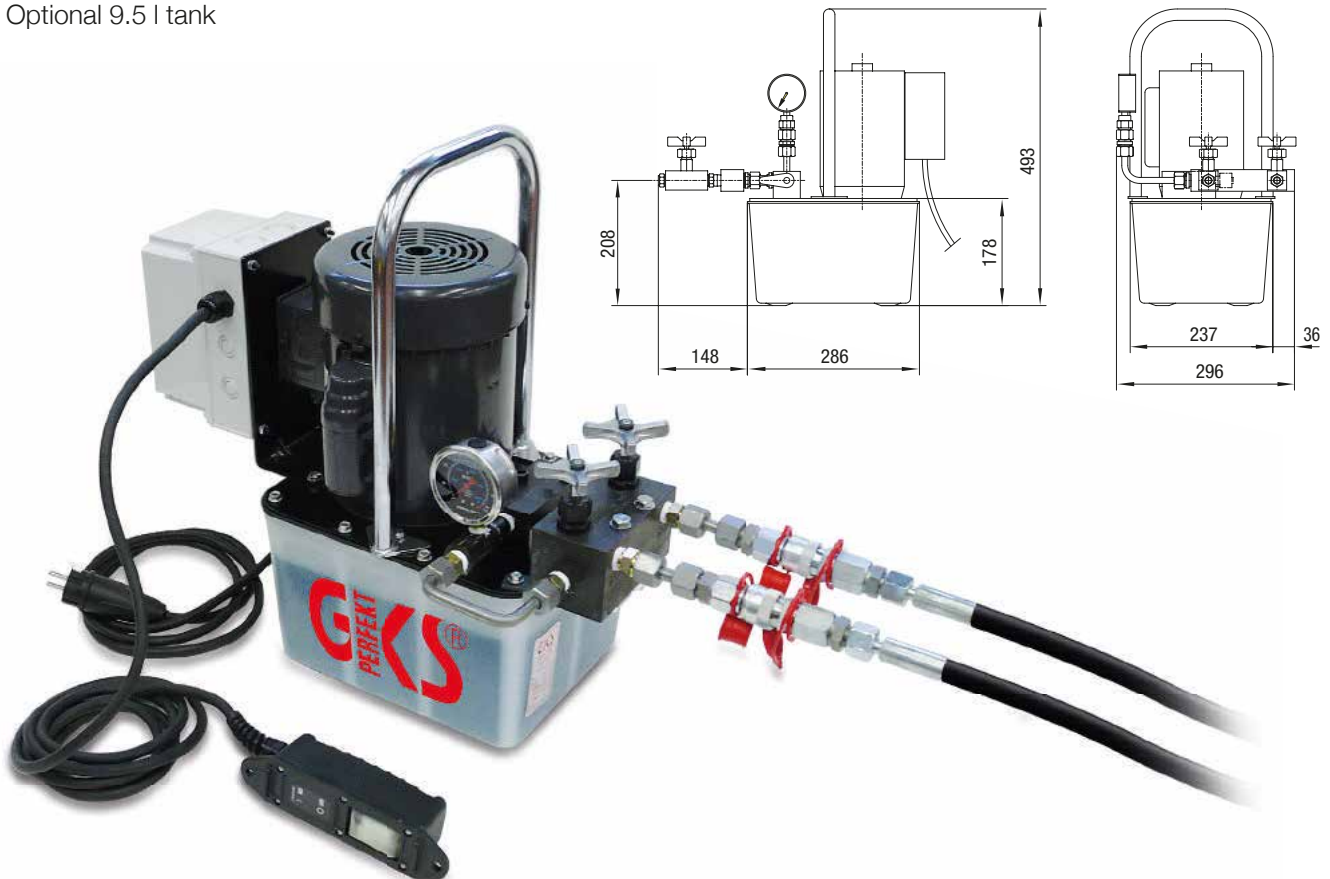
Features:

- Like PE, but with added 2-way manifold including 2 male couplings and 2 needle valves for sensitive lifting and lowering.

Technical data

| | PE2 |
|--|--|
| Item number | 13591 |
| Working pressure (preset) | 520 bar |
| Flow rate stage 1 7 bar | 2.5 l / min |
| Flow rate stage 2 520 bar | 0.3 l / min |
| Tank capacity* | 4.7 l |
| Overall dimensions (L x W x H) | 434 x 296 x 493 mm |
| Tare weight in kg incl. oil fill (without hoses) | 35 kg |
| Hydraulic hose (3 m), quick-release fastener | 2 |
| Electrical connection | 230 V / 50 Hz |
| For GKS toe jack models | 2 x V5, V5-EX, V5K-EX, G5, V10, V10K, V10-EX, V15, V20, V30-EX |

* Optional 9.5 l tank



Contents

Hydraulic
Toe Jacks

Pumps

Transport Trolleys

Rotating Trolleys

Transport Module
ROBOT

Wheels

Special
Transport Trolleys

Repair
Services



Electric Pump PE4

Features:

- Like PE2, but with 4-way manifold and 4 x 3 m hoses.
- Optional: extended hose lengths, bigger oil reservoir (9.5 l) *

Technical data

PE4

| | |
|--|--------------------|
| Item number | 13592 |
| Working pressure (preset) | 520 bar |
| Flow rate stage 1 7 bar | 2.5 l / min |
| Flow rate stage 2 520 bar | 0.3 l / min |
| Tank capacity* | 4.7 l |
| Overall dimensions (L x W x H) | 434 x 296 x 493 mm |
| Tare weight in kg incl. oil fill (without hoses) | 44 kg |
| Hydraulic hose (3 m), quick-release fastener | 4 |
| Electrical connection | 230 V / 50 Hz |

For GKS toe jack models

4 x V5, V5-EX,
V5K-EX, G5, V10,
V10K, V10-EX, V15,
V20, 2 x V30-EX



* Optional 9.5 l tank

