



## Hydraulic Hand Pumps PV

### Features:

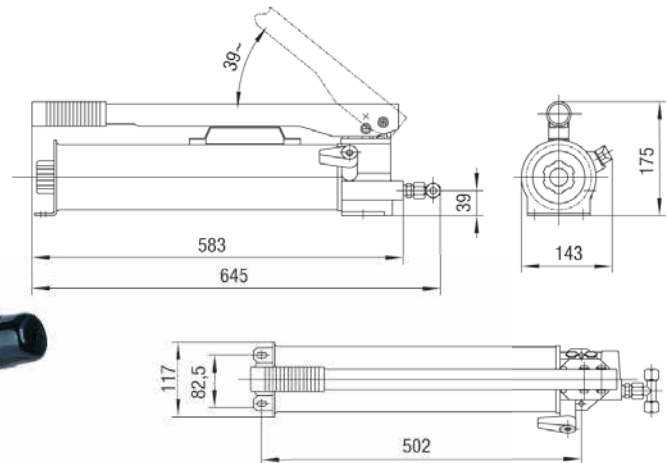
- Standard with 2 x 2 m hydraulic hoses with non-drip quick-release fasteners
- Options: Gauge, shut-off needle valve, extended hydraulic hoses



### Technical data

### PV

Item number	10198
Working pressure (preset)	520 bar
Flow rate stage 1 per lift	42 cm <sup>3</sup> / 30 bar
Flow rate stage 2 per lift	2.6 cm <sup>3</sup> / 520 bar
Tank capacity	2.25 l
Overall dimensions (L x W x H)	645 x 143 x 175 mm
Tare weight in kg incl. oil fill (without hoses)	12 kg
Hydraulic hose (2 m), quick-release fastener	2
For GKS toe jack models	each 2 x V5, V5-EX, V5K-EX, V10, V10-EX, V15, V20, 1 x V30-EX*

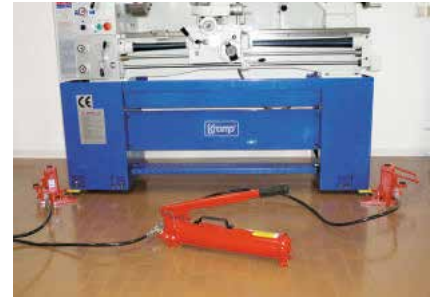




## Hydraulic Hand Pump PV- K

### Features:

- Standard with 2 x 2 m hydraulic hoses with non-drip quick-release fasteners
- Options: Gauge, shut-off valve, extended hydraulic hoses



### Technical data

#### PV-K

Item number	10197
Working pressure (preset)	520 bar
Flow rate stage 1 per lift	5 cm <sup>3</sup> / 30 bar
Flow rate stage 2 per lift	1.2 cm <sup>3</sup> / 520 bar
Tank capacity	0.33 l
Overall dimensions (L x W x H)	418 x 111 x 123 mm
Tare weight incl. oil fill (without hoses)	3 kg
Hydraulic hose (2 m), quick-release fastener	2
For GKS toe jack models	2 x V5KK-EX, V5K-EX, V10K-EX

