

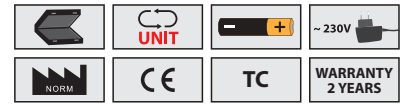
Force Gauges and Dial Tension Gauges

★★★★★ DIGI PLUS-LINE® Electr. Digital Force Gauge

- robust push/pull force gauge, for simple measurements
- measurement accuracy is 0.5 % from max. of capacity
- data sampling rate 1000 Hz, large LCD display with backlight
- overload protection 2% of full scale
- reversible display with automatic direction detection
- with peak hold function, real time or peak hold mode to observe
- automatic power-Off
- incl. standard attachments and extension rod 90 mm long
- incl. 1x 1.5 V battery (type AAA, art.-no.: 609283), charger and operation manual



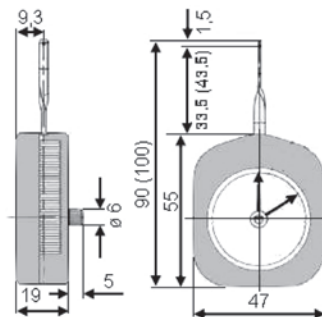
standard attachments and extension rod 90 mm



ART NO	N max.	N	measuring units			ART NO CC
270353	100	0.050	N / kgf / lbf / oz	195 x 84 x 35	0.600	2794350
270354	250	0.100	N / kgf / lbf / oz	195 x 84 x 35	0.600	2794350
270355	500	0.200	N / kgf / lbf / oz	195 x 84 x 35	0.600	2794350
270356	1000	0.500	N / kgf / lbf / oz	195 x 84 x 35	0.600	2794351

★★★★★ BLUE-LINE® Dial Tension Gauge

- for mechanics and electronics
- for adjustment of e.g. relays, valves etc.
- sturdy ABS plastic housing
- clear reading figures with double scale for measurements in both directions
- from up art.-no. 271101 with peak pointer, contact point- \varnothing approx. 1 mm
- re-setting by hand
- max. deviation of read out 0.5%
- incl. operation manual



ART NO	g	g	dial indicator g	with peak pointer	max. %	
271100	0.6 - 5	0.2	0.6 - 5 - 0.6	-	0.5	0.054
271101	1 - 10	0.5	1 - 10 - 1	✓	0.5	0.056
271110	10 - 100	5	10 - 100 - 10	✓	0.5	0.056
271115	15 - 150	5	15 - 150 - 15	✓	0.5	0.056

★★★★★ DIGI PLUS-LINE® Electr. Digital Compact Scale

- entry-level model in the low cost range, with weigh-in function
- rugged plastic housing, with large LCD unit, digit height 15 mm
- easy operation by two buttons
- connector for charger
- weigh-in function, by pressing the TARE-button switches over to "0", simplifies mixing
- automatic auto-off after 3 min. without change of load to preserve the battery
- incl. 2x 1.5 V battery (type AA, art.-no. 609282), incl. operation manual

Option

- charger 230 V/AC (art.-no. 273998)



ART NO	max. kg	g	weighing plate-ø mm	mm	KG
273003	0.5	0.1	150	170 x 240 x 39	0,750
273004	0.2	0.01	105	170 x 240 x 39	0,750
273006	2.2	1	150	170 x 240 x 39	0,750
273008	6	0.1	150	170 x 240 x 39	0,750

★★★★★ DIGI PLUS-LINE® Electr. Digital Precision Scale • IP65 / IP67

- IP65: Dust and jet water proof acc. to DIN 40050 / IEC 60529
- IP67: Water and oil tight (at times) acc. to DIN 40050 / IEC 60529

- rugged metal housing, weighing plate made from stainless steel
- large LCD display, digit height 20 mm
- easy 3-/4-button operation, self-explaining
- operation by battery or main supply, switchable
- automatic power-Off after 3 min. without change of load to preserve the battery
- freely programmable weighing units
- adjusting program (CAL)
- incl. charger 230 V/AC and dust cover
- incl. operation manual

ART NO 273320 + 273321



IP65

ART NO 273322 - 273324



IP67



ART NO	max. kg	g	reproducibility g	linearity ± g	weighing plate mm	mm	KG	ART NO CC DAKkS
273320	0.5	0.1	0.1	0.2	120 x 150	170 x 150 x 40	0.650	2794310
273321	5	1	1	2	120 x 150	170 x 150 x 40	0.650	2794310
273322	5 7.5	0.5 1	0.5 1	1.5 3	252 x 200	285 x 255 x 90	3.610	2794310
273323	8 15	1 2	1 2	3 6	252 x 200	285 x 255 x 90	3.610	2794310
273324	16 30	2 5	2 5	6 15	252 x 200	285 x 255 x 90	3.610	2794310

★★★★★ DIGI PLUS-LINE® Electr. Digital Precision Scale

- reliability thanks to automatic internal adjustment and EC type approval
- industry scale with stainless steel weighing plate
- with USB interface and RS232

art. no. 273310 - 273312

- with large LCD display, with backlight, digit height 17 mm
- weighing principle: Force compensation
- Alibi memory: Paperless form of the archive of weighing results
- internal memory for up to 999 weighing results, 1000 items, 100 container weights, 100 users
- USB interface for transferring weighing data to the PC, printer, USB sticks etc.
- adjusting programme (CAL)

art. no. 273313

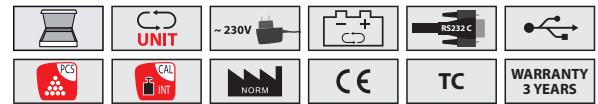
- with large LCD display, with backlight, digit height 19 mm
- weighing principle: Strain gauge
- rechargeable battery pack internal, standard, operating time up to 45 h, charging time approx. 12 h
- adjusting programme (CAL)

Options

- suitable printer, please find on page 186
- incl. windshield at art.-no. 273310 + 273311



Accessories for Electr. Digital Scales
can be found on page 186



ART NO	max. kg	g	reproducibility g	linearity ± g	weighing plate mm	mm	KG	ART NO CC verification	ART NO CC DAkkS
273310	0.36	0.001	0.001	0.004	128 x 128	206 x 335 x 85	3.600	-	2794360
273311	0.60	0.001	0.002	0.004	128 x 128	206 x 335 x 85	3.600	2794310	2794360
273312	3.50	0.01	0.01	0.04	195 x 195	206 x 335 x 85	3.600	-	2794360
273313	6.00	0.1	0.2	0.2	195 x 195	206 x 335 x 85	3.600	2794311	2794361

★★★★★ DIGI PLUS-LINE® Electr. Digital Compact Scale

- industry quality design, with two LCD-displays
- with data output RS 232 C

- industry scale with rugged metal housing, stainless steel weighing plate
- with large LCD display, with backlight, digit height 25 mm
- automatic power-Off after 3 min., without change of load to preserve the battery
- PRE-TARE button for manual subtraction of a known container weight
- power supply with 9 V block battery (not included)
- with animal weighing program, strong vibrations are filtered out
- incl. dust cover and operation manual

Options

- printer and interface cable please find on page 186
- DAkkS calibration certificate



ART NO	max. kg	g	reproducibility g	linearity ± g	weighing plate mm	mm	KG	ART NO CC DAkkS
273076	12	1	1	3	252 x 228	270 x 345 x 106	3.000	2794361
273078	24	2	2	6	252 x 228	270 x 345 x 106	3.000	2794361

★★★★★ DIGI PLUS-LINE® Electr. Digital Parcel Platform Scale

• cheap parcel and allround scales, for despatch weighing

- rugged metal housing, weighing plate made from stainless steel
- with wall mounting for electr. unit
- large LCD display, digit height 25 mm
- weighing units in kg or lb
- display unit placed anywhere by flexible spiral cable (approx. 2 m)
- easy 4-button operation, self-explaining
- automatic power-Off after 3 min., without change of load to preserve the battery, permissible temperature +10°C ~ +35°C
- with animal weighing program
- weigh-in function, by pressing TARE-button switches over to "0"
- adjusting programme (CAL) means for adjusting the precision test weights, (is not included)
- mains or battery operation possible (6x 1.5 V battery, type AA, art.-no. 609282, batteries are not included)
- incl. charger 230 V/AC, with operation manual

Options

- stand, art.-no. 273558 (except unit and scale)
- DAkkS calibration certificate



art.-no. 273558, stand, except unit and scale



ART NO	max. kg	g	reproducibility g	linearity ± g	weighing plate mm	mm LCD unit	KG	ART NO CC DAkkS
273302	35	10	10	20	310 x 305 x 55	210 x 110 x 45	4.000	2794361
273303	60	20	20	40	310 x 305 x 55	210 x 110 x 45	4.000	2794362
273305	150	50	50	100	310 x 305 x 55	210 x 110 x 45	4.000	2794362
273308	300	100	100	200	310 x 305 x 55	210 x 110 x 45	4.000	2794362

★★★★★ DIGI PLUS-LINE® Electr. Digital Parcel Platform Scale • IP65

- multimodel platform scale • with data output RS 232 C
- for industrial purpose, with piece-counting, reference quantities selectable
- dual range scale, automatically switches to the next higher weighing range
- dust- and splash water proof acc. to DIN 40050 / IEC 60529

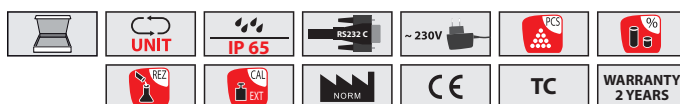
- industry scale with rugged plastic housing, stainless steel weighing plate
- with large LCD display, with backlight, digit height 25 mm
- freely programmable weighing units, e.g. in yarn length g/m, in paper weight g/m², etc.
- display unit (IP 65) placed anywhere by flexible spiral cable (approx. 1.4 m)
- easy 5-button operation, self-explaining, with animal weighing program
- with data output RS 232, for data-printer or computer connection
- mains or battery operation possible (1x 9 V battery, type 6LR61, art.-no. 609281, batteries are not included)
- adjusting program (CAL), piece-counting (PCS), net-total weighing (REZ)
- automatic power-Off after 3 min., permissible temperature +5°C ~ +35°C
- incl. charger 230 V/AC, dust cover, with operation manual

Options

- stand, art.-no. 273550 (except unit and scale)
- statistics printer, art.-no. 273098
- interface cable, art.-no. 279998
- DAkkS calibration certificate



art.-no. 273550, stand, except unit and scale



ART NO	max. kg	g	reproducibility g	linearity ± g	weighing plate mm	mm LCD unit	KG	ART NO CC DAkkS
273054	15 / 35	5 / 10	5 / 10	15 / 30	318 x 308 x 75	225 x 110 x 45	4.800	2794361
273057	30 / 60	10 / 20	10 / 20	30 / 60	318 x 308 x 75	225 x 110 x 45	4.800	2794362
273059	60 / 150	20 / 50	20 / 50	60 / 150	318 x 308 x 75	225 x 110 x 45	5.000	2794362
273061	150 / 300	50 / 100	50 / 100	150 / 300	522 x 403 x 90	225 x 110 x 45	16.000	2794362

1
2
3
4
5g
6
7
8
9
10
11

★★★★★ DIGI PLUS-LINE® Electr. Digital Industrial Counting Scale

- **verifiable**
- **entry level model into the professional-counting**
- industry scale with rugged metal housing, stainless steel weighing plate
- with 3 large LCD displays, with backlight, digit height 18 mm
- verifiable weight display, reference weight, total number of pieces
- programmable via keypad: known reference weight / reference quantity
- accurate counting: the autom. reference optimization gradually improves the average value of the piece weighing
- cumulative counter memory: summing up of the same counting parts and total pieces and total weight, counting resolution: 30000 points
- acoustic beep „Fill-to-target“: target quantity and target weight programmable
- weigh-in function, by pressing the TARE-button switches over to "0", simplifies mixing
- permissible temperature -10°C ~ +40°C
- standard with charger, internal (please mention the country location of use) and operation manual

Option

- **verification** or DAkkS calibration certificate by extra charge (with **verification**: location of use with post code required - subsequently not possible)



- *high mobility, thanks to battery operation*
- *with recessed grips*



ART NO	max. kg	g	verification value [e] g	minimum weight [min] g	minimum weight g/pc.	weighing plate mm	mm	KG	ART NO CC verification	ART NO CC DAkkS
273022	3	1	1	20	0.1	300 x 225	300 x 330 x 110	4.000	2794310	2794360
273024	15	5	5	100	0.5	300 x 225	300 x 330 x 110	4.000	2794311	2794361
273025	30	10	10	200	1	300 x 225	300 x 330 x 110	4.000	2794311	2794361

★★★★★ DIGI PLUS-LINE® Electr. Digital Hanging Scale

- **for mobile use**
- **for weighing by hand or for hanging up on an angle bracket**
- sturdy ABS-plastic housing with a stainless steel hook
- large LCD display with digit height: art.-no. 273087 about 13 mm / art.-no. 273080 - 273082 about 11 mm
- with data hold button, display can be "frozen" for approx. 5 sec., makes reading easier
- On/Off-button, TARE-button: attach an empty vessel/container and place the display to zero
- weighing units: kg, lb and N (Newton)
- automatic power-Off
- permissible temperature +5 °C ~ +35 °C
- art.-no. 273087 only suitable as luggage scale, not calibratable
- art.-no. 273080 - 273082 with built-in measuring tape (100 cm)
- art.-no. 273087 incl. 2x 1.5 V battery (type AAA, art.-no.: 609283)
- art.-no. 273080 - 273082 incl. 1x 9 V battery (type 6LR61, art.-no.: 609281), incl. operation manual

Option

- DAkkS calibration certificate for art.-no. 273080 - 273082 by extra charge (afterwards not possible)



ART NO 273080 - 273082

ART NO 273087



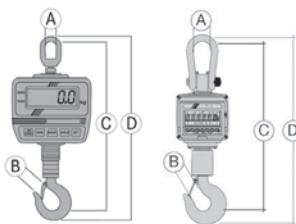
ART NO	max. kg	g	mm	KG	ART NO CC DAkkS
★★★★★ 273080	15	20	90 x 30 x 175	0.350	2794361
★★★★★ 273081	50	50	90 x 30 x 175	0.350	2794361
★★★★★ 273082	50	100	90 x 30 x 175	0.350	2794361
★★★★★ 273087	30	10	95 x 23 x 195	0.175	-

★★★★★ DIGI PLUS-LINE® Electr. Digital Crane Scale

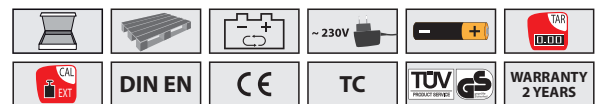
- TÜV approved crane scales acc. to the standards of EN 13155 (loose load receptor) and EN 61010-1 (electr. safety)
- art.-no. 273100* - 273103* prof. device for rough application (industry quality)
art.-no. 273110* - 273111* compact crane scale (for standard purpose)
- art.-no. 273100* - 273103* self-luminous LED display, digit height 30 mm
art.-no. 273110* - 273111* LCD display with backlight, digit height 23 mm
- art.-no. 273100* - 273103* incl. remote control, up to 20 m working range
art.-no. 273110* - 273111* incl. infrared-remote control, up to 2.5 m working range
- with data-hold button, to hold the display value
- art.-no. 273100* - 273103* with adaption to unstable conditions
- hook with safety lock, made from forged steel, chromed, turnable
standard with internal battery, incl. charge 230 V/AC
- remote control incl. 2x 1.5 V battery (type AAA, art.-no.: 609283)
- adjusting programme (CAL), weigh-in function, by pressing TARE-button switches over to "0"
- accuracy 0.2% from [max], permissible temperature 0°C ~ +40°C
- incl. operation manual

Option

- DAkkS calibration certificate by extra charge (afterwards not possible)



ATTENTION
We charge transport and packing costs for articles marked with *!



ART No	max. kg	g	A	B	C	D	mm	KG	ART No CC DAkkS
273100*	1.000	100	80	40	540	610	270 x 175 x 200	13.200	2794365
273101*	3.000	500	75	50	540	610	270 x 175 x 200	15.700	2794366
273102*	5.000	500	75	50	650	730	300 x 190 x 230	22.300	2794366
273103*	10.000	1.000	100	60	750	840	300 x 190 x 230	34.000	2794367
273110*	300	100	26	25	358	390	163 x 120 x 159	3.200	2794362
273111*	600	200	26	25	358	390	163 x 120 x 159	3.200	2794365

★★★★★ DIGI PLUS-LINE® Electr. Digital Hanging Scale • also with IP65

- with stainless steel snap link and S-hook made from stainless steel
- art.-no. 273083 - 273086 with sturdy ABS plastic housing
art.-no. 273094 - 273097 with sturdy stainless steel housing, in IP65 design
- art.-no. 273083 - 273086 large LCD display, digit height 12 mm
art.-no. 273094 - 273097 large LCD display, at front and rear side, digit height 12 mm
- with data hold button, display can be "frozen" for some seconds, adjusting programme (CAL)
- TARE-button: attach an empty vessel/container and place the display to zero
- automatic power-Off after 3 min., without change of load to preserve the battery
- art.-no. 273083 - 273086 incl. 3x 1.5 V battery (type AA, art.-no.: 609282)
art.-no. 273094 - 273097 incl. 2x 1.5 V battery (type AA, art.-no.: 609282), incl. operation manual



ART No 273094 - 273097

ART No 273083 - 273086



ART No	IP65 water- and coolant proof	max. kg	g	mm	total height incl. hooks mm	KG	ART No CC DAkkS
273083	X	20	10	80 x 45 x 150	290	0.400	2794361
273084	X	50	100	80 x 45 x 150	290	0.400	2794361
273085	X	100	200	80 x 45 x 150	290	0.400	2794362
273086	X	200	500	80 x 45 x 150	290	0.400	2794362
273095	✓	50	100	95 x 55 x 175	315	0.800	2794361
273096	✓	100	200	95 x 55 x 175	315	0.800	2794362
273097	✓	200	500	95 x 55 x 175	315	0.800	2794362

Accessories for Electr. Digital Scales

Accessories for Electr. Digital Scales

please state your balance model when ordering, so that the printer can be preconfigured in the factory to suit your balance (* = Good Laboratory Practice)

ART N°	product description	→ mm ←
273098	Thermal Printer with data interface RS232 , for printing weighing values, recipes, quantities, etc., GLP* record keeping of balance adjustment with date and time print; numerator printout with date and time, languages in D, GB, F, PL <ul style="list-style-type: none"> • charger 230V/AC / 50Hz • speed 0.75 lines/sec. • max. 40 characters/line • paper strip: width 112 mm 	165 x 140 x 50
273099	Statistics Thermal Printer with data interface RS232 , for printing weighing values, recipes, quantities, etc., with GLP* record keeping of balance adjustment with date and time print; numerator; with statistical functions such as count and total of all measurements, minimum and maximum values of the main unit, range (Max-Min). Average value, standard deviation, available units: mg, g, kg, pcs. Language versions: D, GB, F, PL <ul style="list-style-type: none"> • charger 230V/AC / 50Hz • speed 0.75 lines/sec. • max. 40 characters/line • paper strip: width 112 mm 	165 x 140 x 50
273099-1	Matrix Needle Printer with data interface RS232 , to print the weights on normal paper, which is ideal for long-term archiving <ul style="list-style-type: none"> • charger 230V/AC / 50Hz • speed 1 lines/sec. • max. 16 characters/line • paper strip: width 44 mm 	158 x 106 x 40
279998	Interface cable , for printer series art.-no. 273098 and art.-no. 273099	cable length approx. 1500
279998-1	Interface cable , for printer series art.-no. 273099-1	cable length approx. 1500
273551	paperroll (10 pcs.), for printer series art.-no. 273098	width 112
273552	Paperroll (10 pcs.), for printer series art.-no. 273099	width 112
273553	Paperroll (5 pcs.), for printer series art.-no. 273099-1	width 44
273550	Stand , for printer series art.-no. 273054 / 273057 / 273059 / 273061	height 450
273558	Stand , for printer series art.-no. 273302 / 273303 / 273305 / 273308	height 950



SILVER-LINE® Test Weights

- for checking of measurements and scales
- available as single weights or in sets

- M1-Quality Class, brass made (stainless steel on request), finely turned
- DAkkS calibration certificate (with extra charge)
- in a plastic case with soft insert (wooden case on request)



Other weights or set-components are available on request!

ART N°	kg	max. ± mg	ART N° CC DAkkS
Quality Class M1			
273266	0.100	5	2794410
273268	0.500	25	2794410
273269	1.000	50	2794410
273270	2.000	100	2794411
273271	5.000	250	2794411

ART N°	kg	ART N° CC DAkkS
Set-Components Quality Class M1		
273282	0.001 - 0.500	2794464
273283	0.001 - 1.000	2794465
273285	0.001 - 5.000	2794467
-	-	-
-	-	-