

THE HEAVY DUTY TORQUE WRENCH LHD SERIES

Inductive interface for data transmission

Visual and acoustic zero-defect strategy

Clear and intuitive handling directly on the machine with the help of a LCD-display and only three operating elements

Removable, magnetic, illuminated 3.5" LCD colour display with impact-resistant macrolon screen display for adaptable and exact work in all situations

Operation directly on the handle (right-/left-handed rotation)

For the fixing on metallic surfaces

Brushless Technology for a longer tool life of the torque wrench

Adjustable handles for light work and ideal strength distribution in every situation

Connection to the Powerbox

Supplied with individual GEDORE factory calibration certificate



Scope of delivery

- > Device
- > Reaction arm cranked with lock on function made of chrome vanadium steel
- > Powerbox 180–264 V AC / 47–63 Hz
- > Tool trolley
- > Operating instructions
- > Factory calibration certificate



Optional accessories

- > Module LD.TRACK, LD.QS

The new heavy duty screwdriver up to 7500 Nm

The new torque wrench, combining power and speed: more than twice as fast as other suppliers - for a faster insertion bolt by bolt.
Reliable operation in all weathers.

The built-in, low-maintenance brushless technology (brushless, low-wear DC drive) ensures a longer tool life.

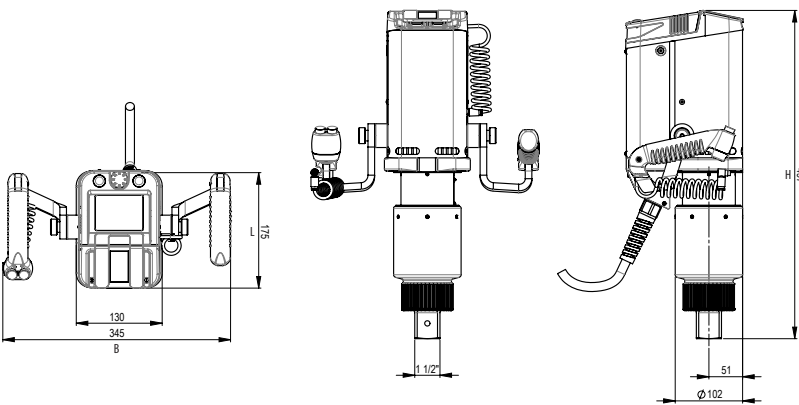
Bolting software for data logging and quality assurance archiving

The logging of more than 10,000 bolted connections is possible with the optional available module TRACK. With the optional QS module, any number of bolted connections can be defined and stored. This greatly simplifies work on the construction site and reduces the time required.

Powerbox + accessory case for cable

Due to strong voltage fluctuations it is difficult to use electrically torque wrenches with the required accuracy. With the LHD heavy duty torque wrench, this is avoided by a voltage conversion using our power box - this way the device is always provided with the necessary voltage for proper function.

Technical Data



Type	~N-m min/ max	~ lbf-ft min/ max	~ U/min	■	Ø D mm	L mm	B mm	H mm	kg
LHD-75	800 - 7500	590 - 5530	10,3	1 1/2"	102	175	345	497	14.6

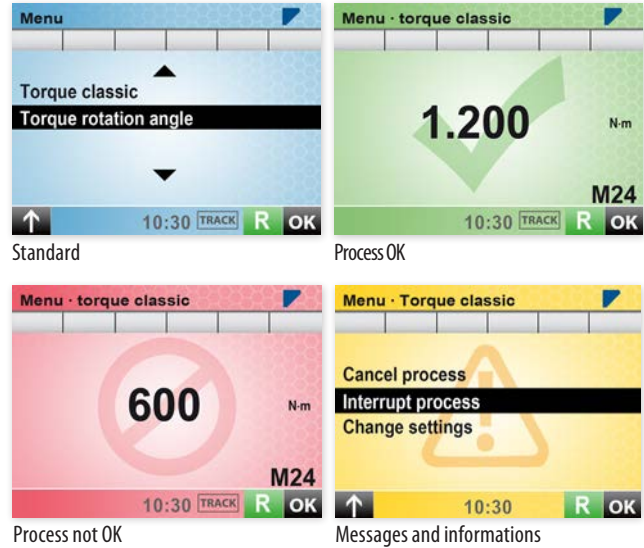
Further torque ranges on request.

Type	Input voltage	Output voltage	P	L mm	B mm	H mm	kg
Powerbox	180–264 V AC / 47–63 Hz	48 V DC	3.000 W	380	445	160	9.4

Protection: IP32 Protection class I

Proven system process with digital colour display

For maximum precision, the LHD offers an visual and acoustic zero-defect strategy: a sunlight-readable, digital colour display displays the entire workflow visually; in addition, an acoustic signal sounds as soon as the set value is reached.
(Further information on page 16)



More information about documentation modules see pages 54/55

